

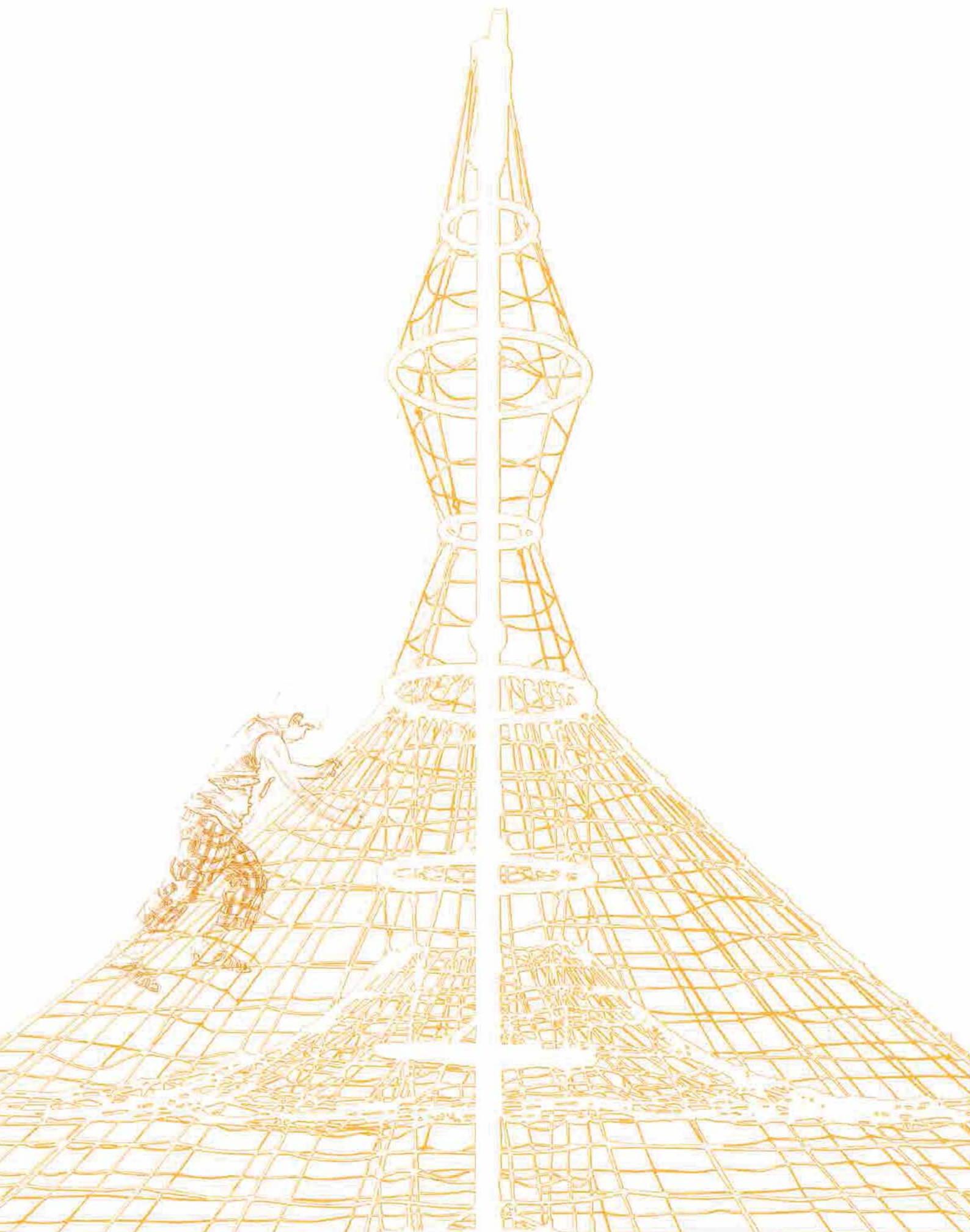
KAYA ADVENTURE

KAYAADVENTURE.COM

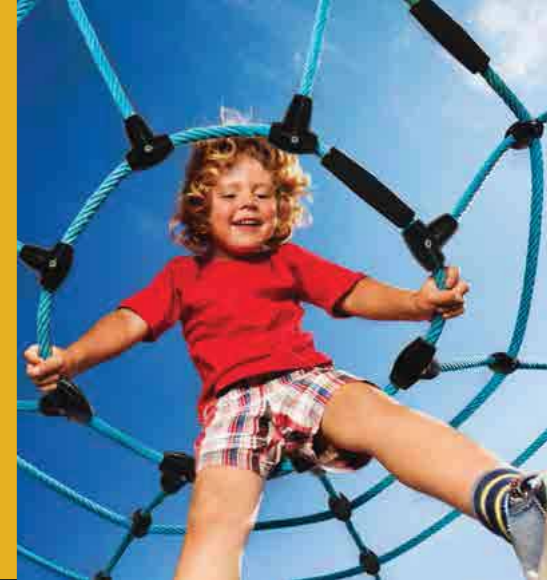
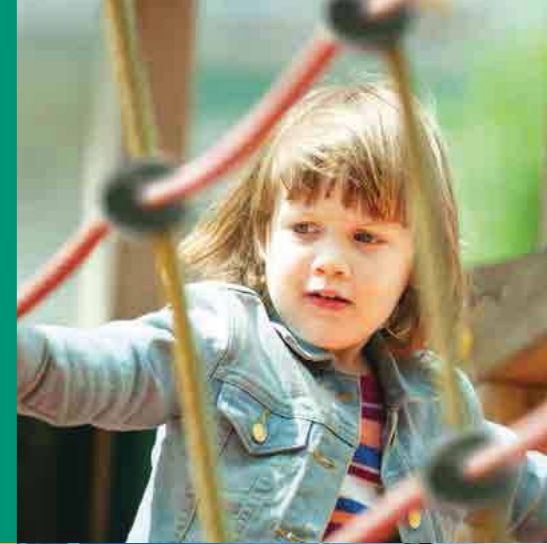
2016/ENG

ADVENTURE
SYSTEMS FOR KIDS
AND ADULTS







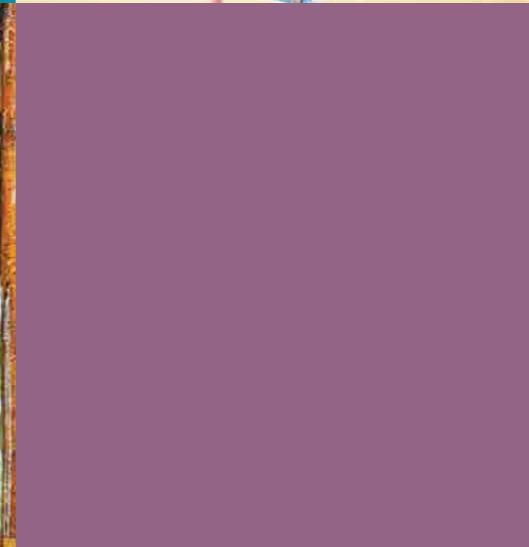


KAYA ADVENTURE

Safe products, system and courses that are designed manufactured by Kaya Adventure were born to meet the needs of the kids who would like to have fun and spend their time by doing physical activities and of the adults who wish to maintain their everyday activities.

In line with these requirements, Kaya Adventure designs and manufacturers each product, system and courses for the kids who are the architect of our tomorrow by considering their safety, game world, entertainment concept and the healthy development. Kaya Adventure branded playground and adventure park systems have been tested and certified according to EN 1176-1 and EN 1176-11 standards

In addition to offering reliable and certified products and systems, starting from the designing process in each system and course Kaya Adventure considers the comfort of adults as well as kids who bring color to our lives and are entertainment oriented and aims to bring even a little bit of joy to their lives.



INDEX



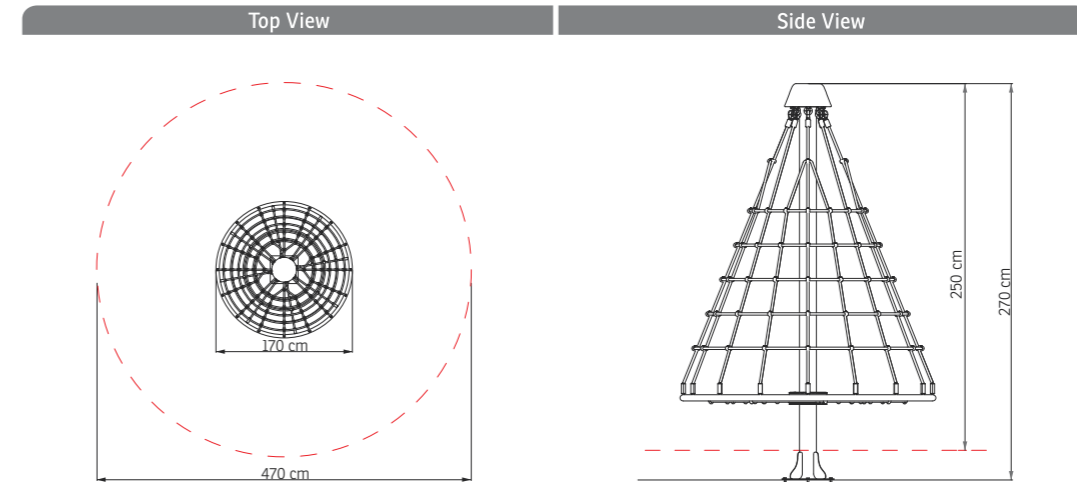
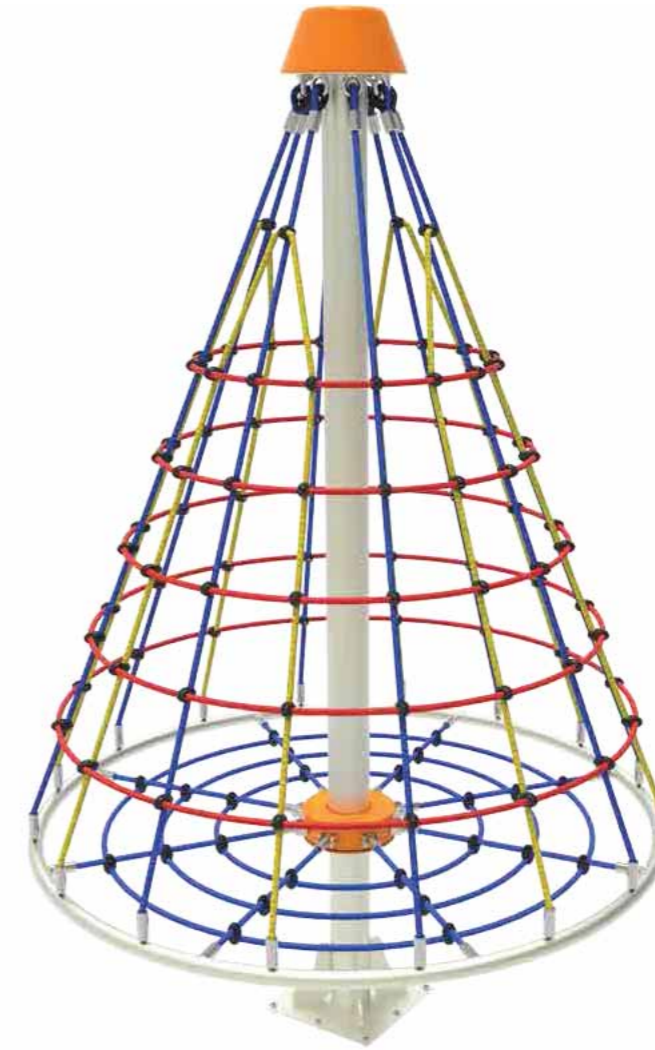
PLAYGROUND	9	13	22	32	38	51	58	64
REVOLVING SYSTEMS								
PYRAMID SYSTEMS								
TOWER SYSTEMS								
BRIDGE SYSTEMS								
ADVENTURE COURSE								
BASIC CLIMBING								
NEST SYSTEMS								
SWING SYSTEMS								

CONNECTORS AND PERSONAL PROTECTIVE EQUIPMENT	76	81	83	85	87	88
CONNECTORS						
PULLEYS						
HARNESSES						
LANYARDS						
HELMETS						
GLOVES						

ROPES	69	70	71	72	73	74	75
LUPA® 6T SC + FC LUPA® 6T SC + IWRC							
LUPP® 6T SC + FC LUPP® 6T SC + IWRC							
LUPES® 6T SC + FC LUPES® 6T SC + IWRC							
LUPA® 6T DB SC + FC LUPA® 6T DB SC + IWRC							
LUPP® 6T DB SC + FC LUPP® 6T DB SC + IWRC							
LUPES® 6T DB SC + FC LUPES® 6T DB SC + IWRC							
LUPP® 4T SC + FC LUPP® SEAT							

KAYA GROUP OVER VIEW	89	92	94
KAYA GROUP			
QUALITY- TESTING			
CERTIFICATES AND STANDARDS			

PLAYGROUND



Colour Options



ROTATING SYSTEMS

DS.H25
TWISTING SYSTEM



NUMBER OF USERS



USER AGE



PRODUCT HEIGHT



FALL HEIGHT



SECURED FIELD



SITTING FIELD



STANDARD

DS.H40
TWISTING SYSTEM



NUMBER OF USERS



USER AGE



PRODUCT HEIGHT



FALL HEIGHT



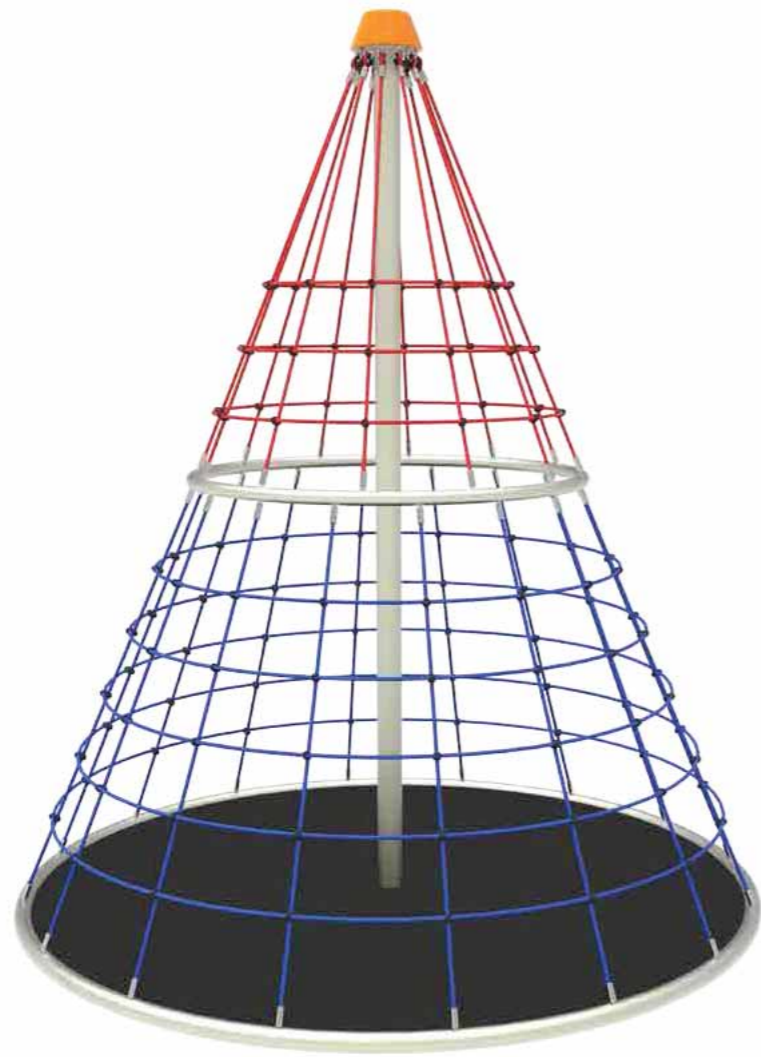
SECURED FIELD



SITTING FIELD

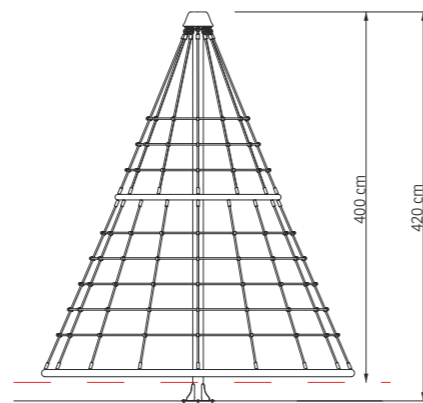
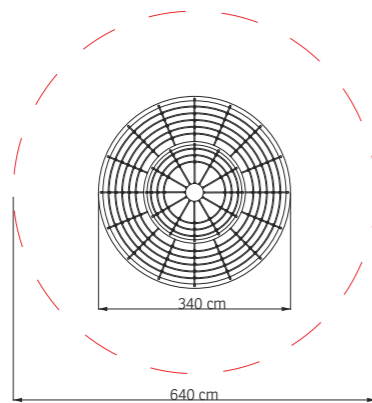


STANDARD



Top View

Side View



Colour Options



TD.H36
CLIMBING SYSTEM



NUMBER OF USERS



USER AGE



PRODUCT HEIGHT



FALL HEIGHT



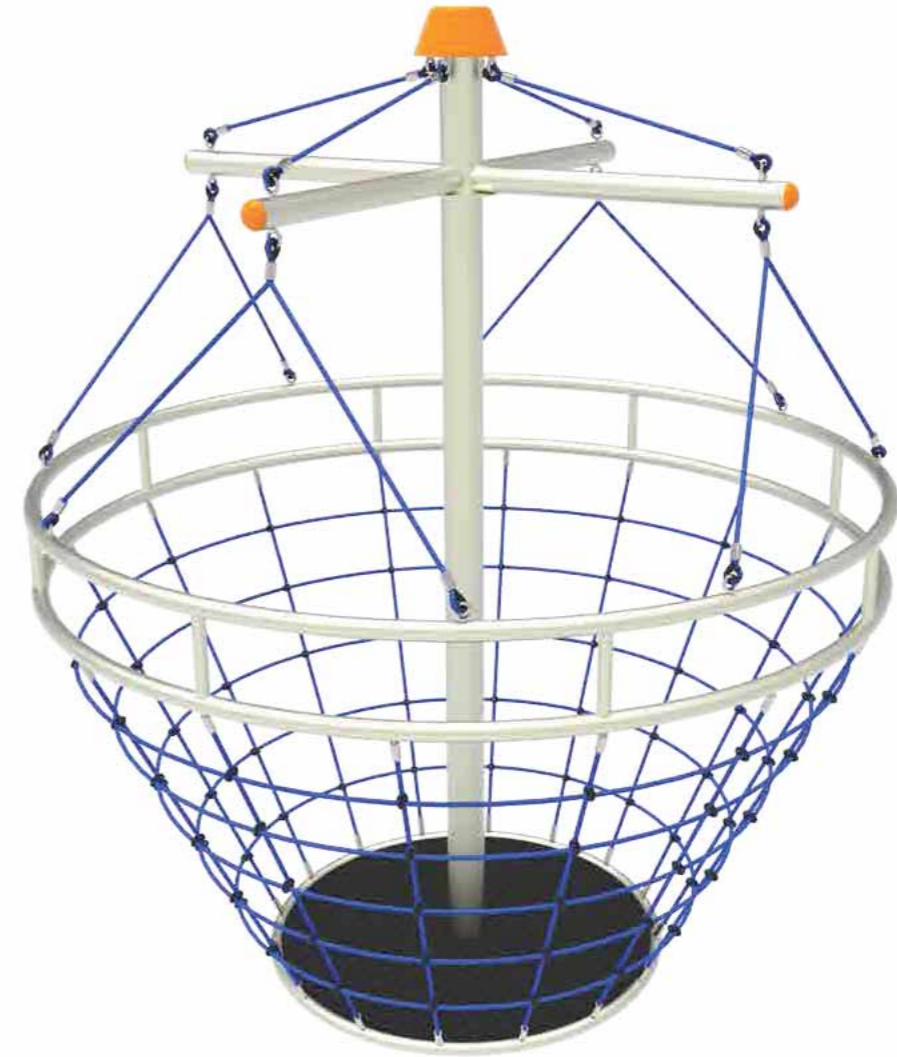
SECURED FIELD



SITTING FIELD

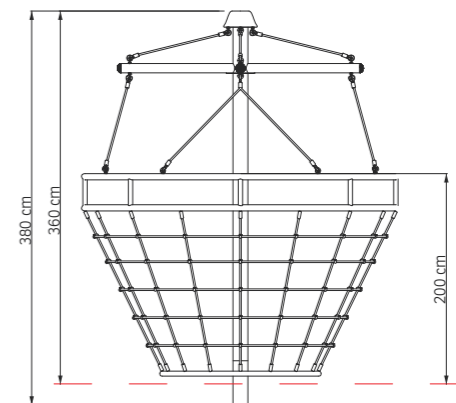
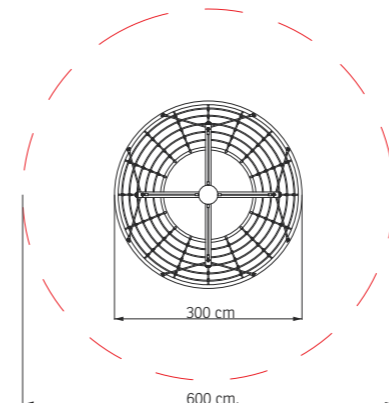


STANDARD



Top View

Side View



Colour Options



SS.04
TWISTED SWING



NUMBER OF USERS



USER AGE



PRODUCT HEIGHT



FALL HEIGHT



SECURED FIELD



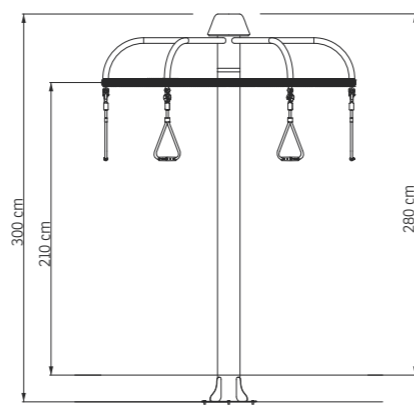
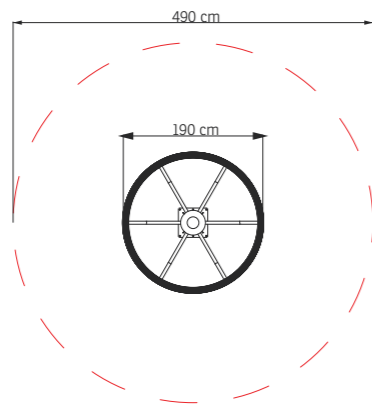
SITTING FIELD



STANDARD



Top View Side View



Colour Options



PT.H25
PYRAMID CLIMBING



NUMBER OF USERS



USER AGE



PRODUCT HEIGHT



FALL HEIGHT



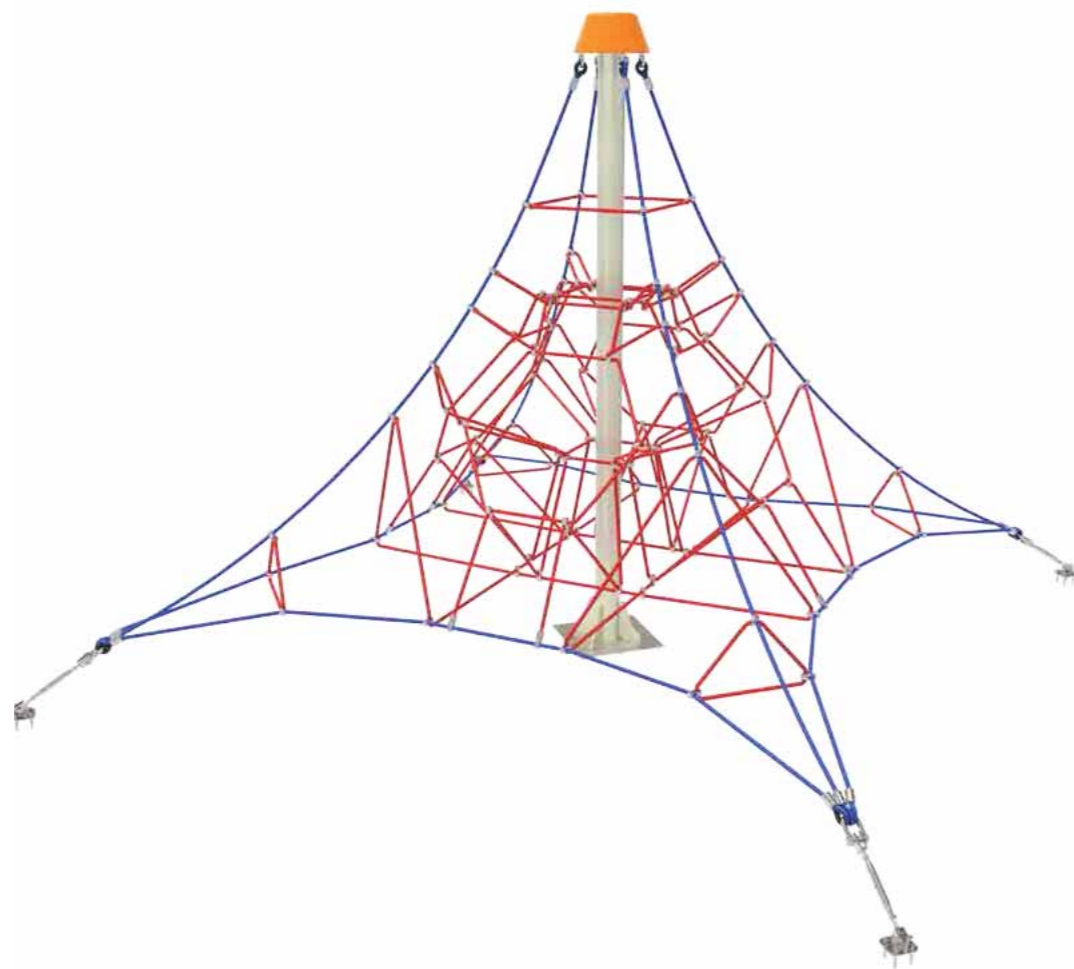
SECURED FIELD



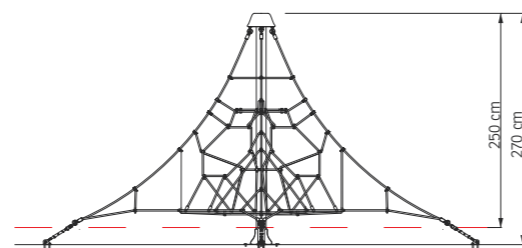
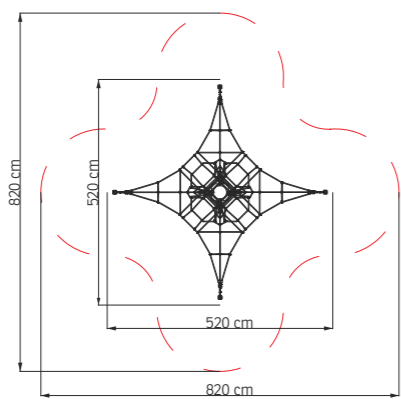
SITTING FIELD



STANDARD



Top View Side View



Colour Options



PT.H40
PYRAMID CLIMBING



NUMBER OF USERS



USER AGE



PRODUCT HEIGHT



FALL HEIGHT



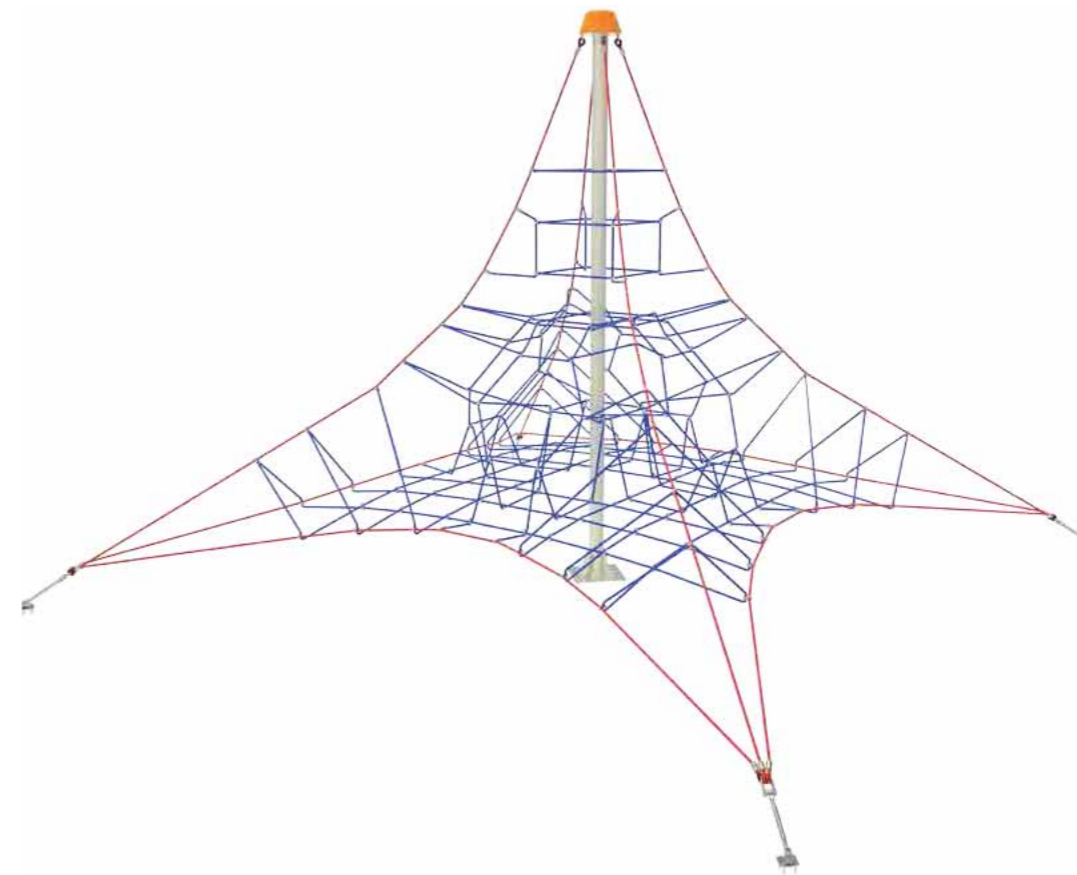
SECURED FIELD



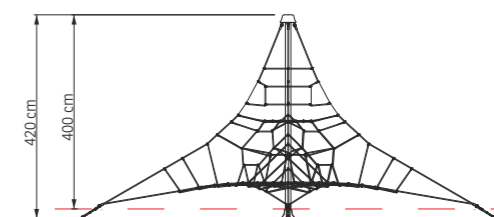
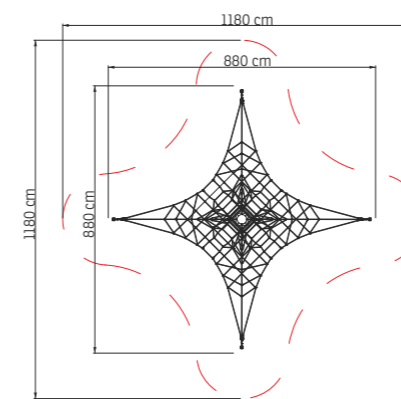
SITTING FIELD



STANDARD



Top View Side View



Colour Options





NUMBER OF USERS



USER AGE



PRODUCT HEIGHT



FALL HEIGHT



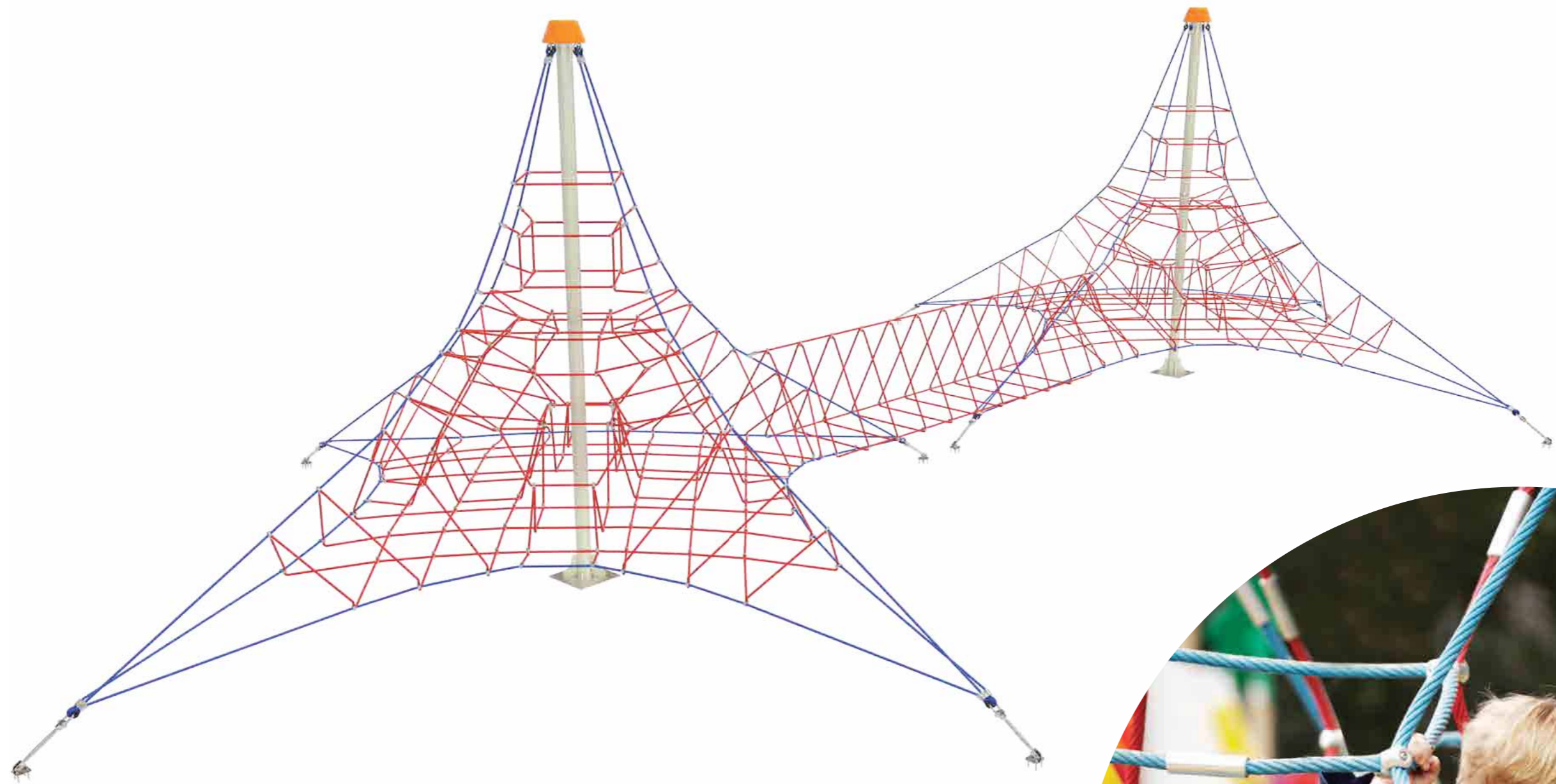
SECURED FIELD



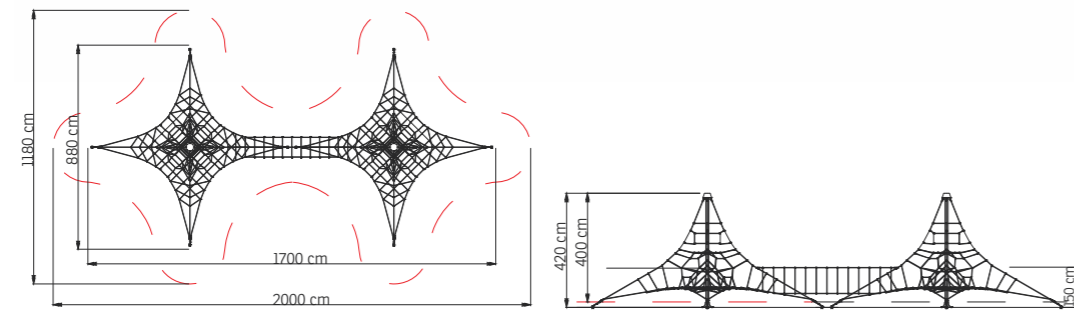
SITTING FIELD



STANDARD

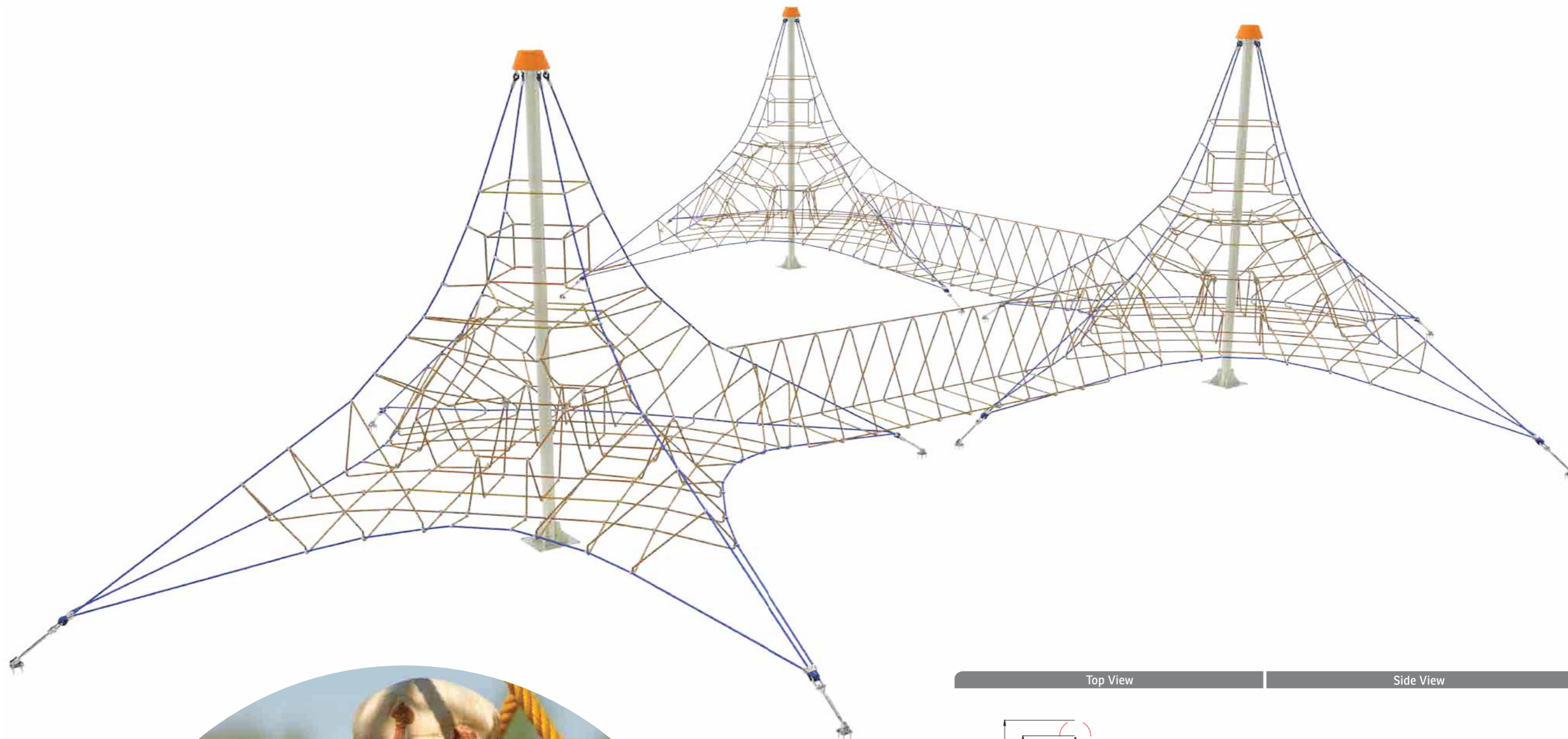


Top View Side View

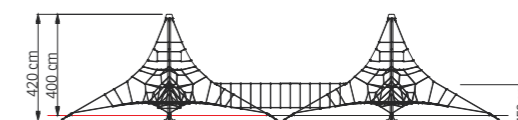
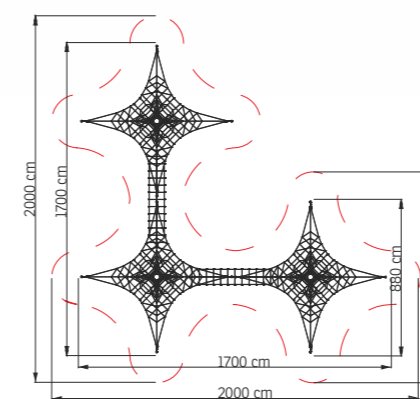


Colour Options





Top View Side View



Colour Options



max 35
NUMBER OF USERS

+6
USER AGE

4 m
PRODUCT HEIGHT

1.2 m
FALL HEIGHT

20x20 m
SECURED FIELD

17x17 m
SITTING FIELD

EN 1176
STANDARD



NUMBER OF USERS



USER AGE



PRODUCT HEIGHT



FALL HEIGHT



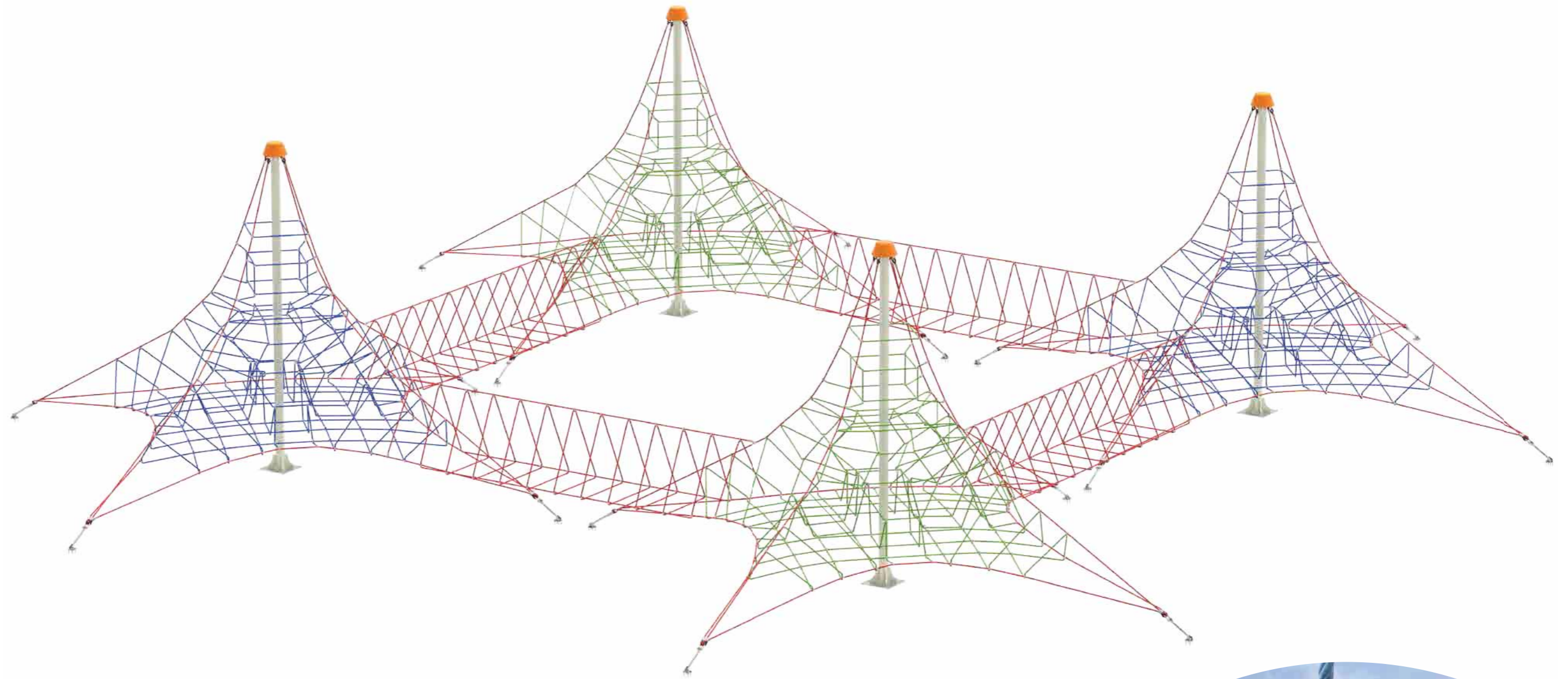
SECURED FIELD



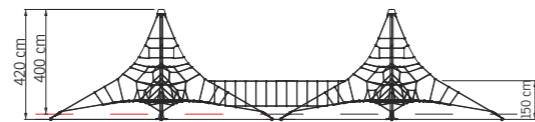
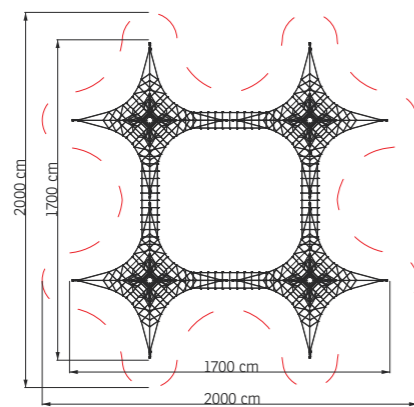
SITTING FIELD



STANDARD



Top View Side View

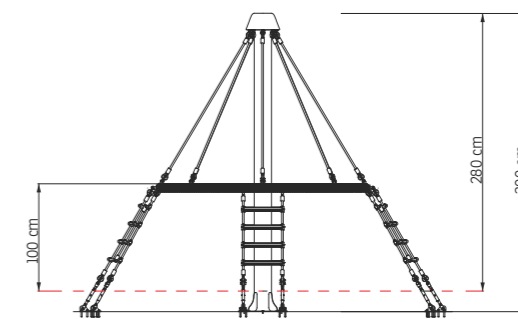
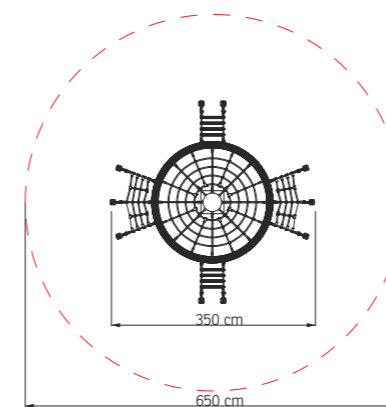


Colour Options





Top View Side View



Colour Options



TOWER SYSTEMS

KD.H28
PIRATE POST

max 12
NUMBER OF USERS

+6
USER AGE

2.8 m
PRODUCT HEIGHT

1 m
FALL HEIGHT

6.5x6.5 m
SECURED FIELD

3.5x3.5 m
SITTING FIELD

EN 1176
STANDARD



NUMBER OF USERS



USER AGE



PRODUCT HEIGHT



FALL HEIGHT



SECURED FIELD



SITTING FIELD

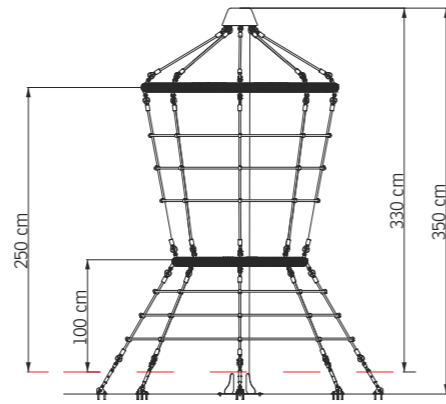
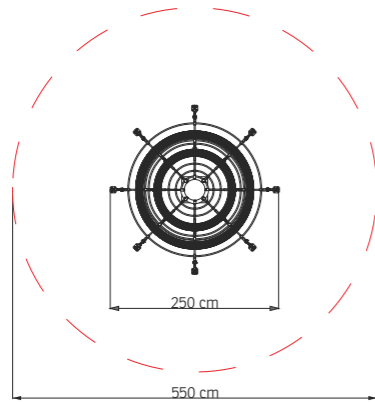


STANDARD



Top View

Side View



Colour Options



NUMBER OF USERS



USER AGE



PRODUCT HEIGHT



FALL HEIGHT



SECURED FIELD



SITTING FIELD

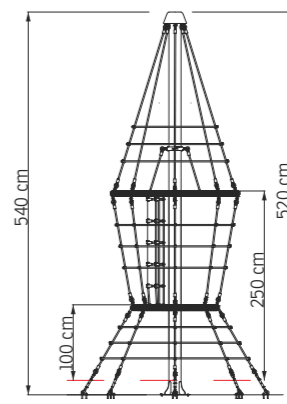
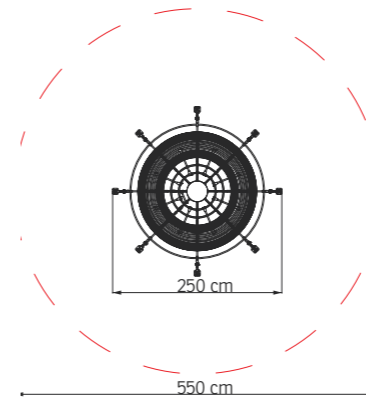


STANDARD



Top View

Side View



Colour Options



AT.H55
ANGLED CLIMBING



NUMBER OF USERS



USER AGE



PRODUCT HEIGHT



FALL HEIGHT



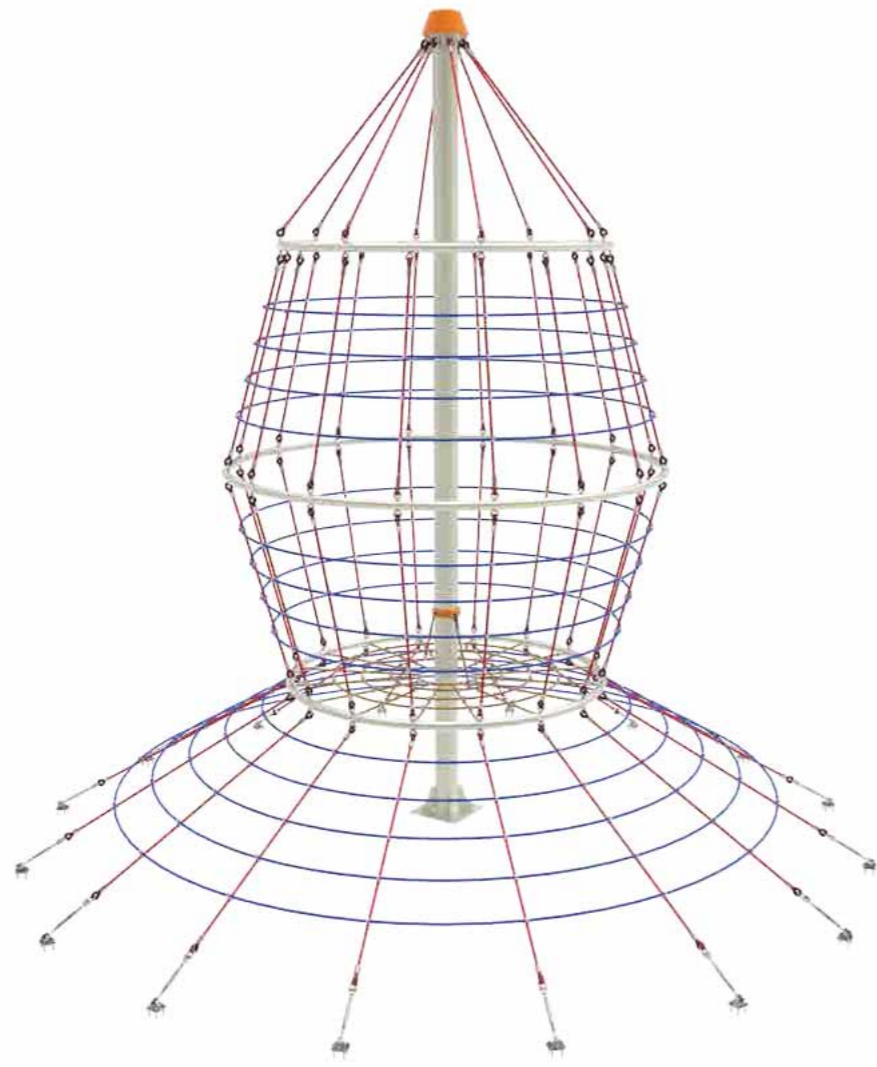
SECURED FIELD



SITTING FIELD

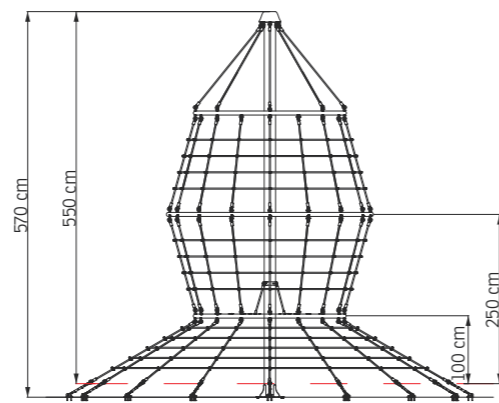
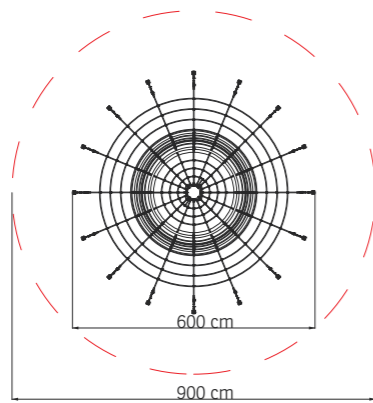


STANDARD



Top View

Side View



Colour Options



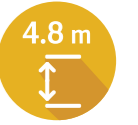
TC.H48
CLIMBING TENT



NUMBER OF USERS



USER AGE



PRODUCT HEIGHT



FALL HEIGHT



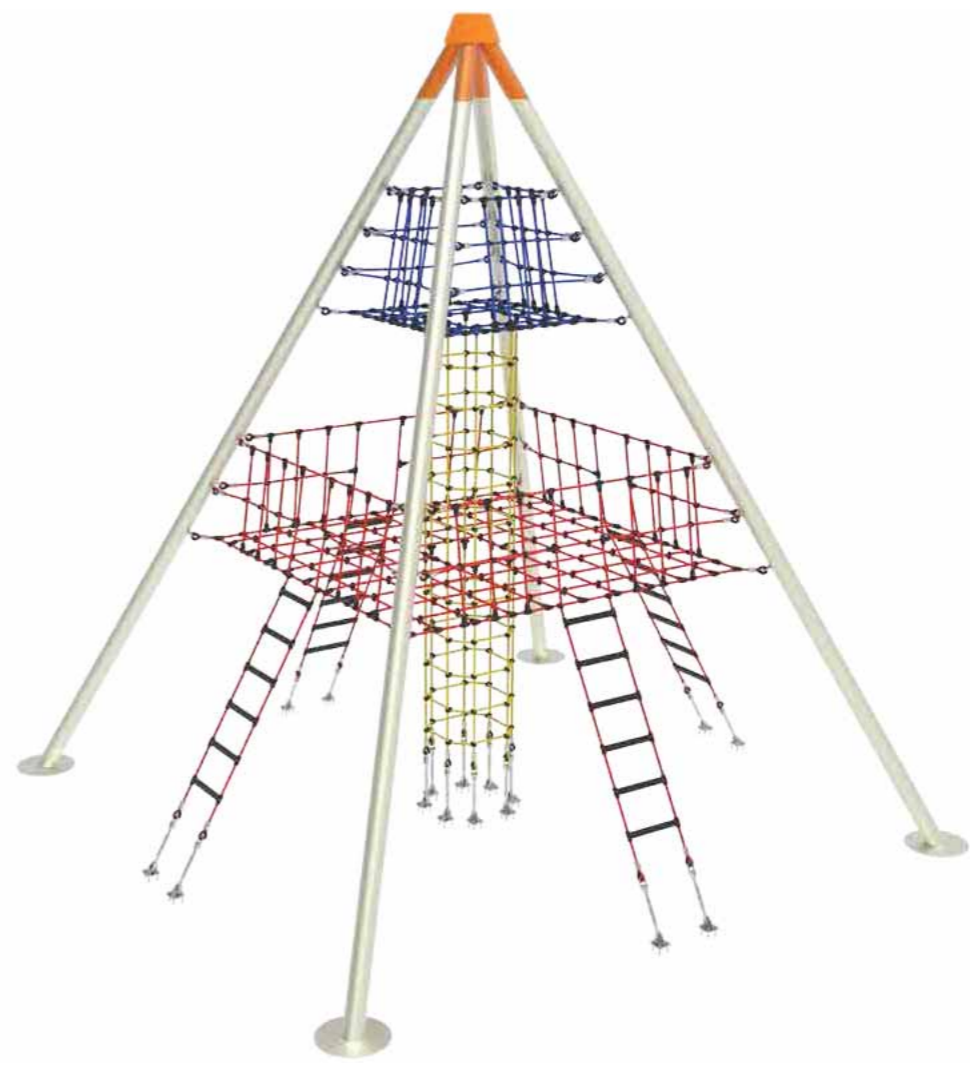
SECURED FIELD



SITTING FIELD

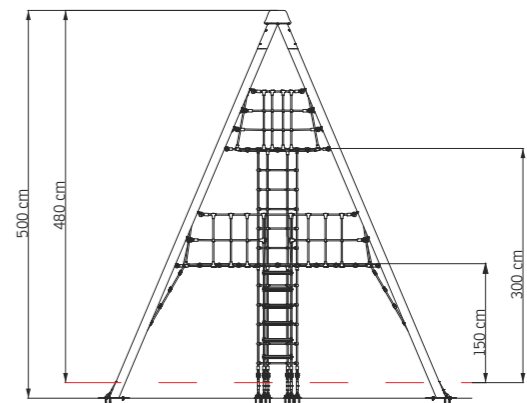
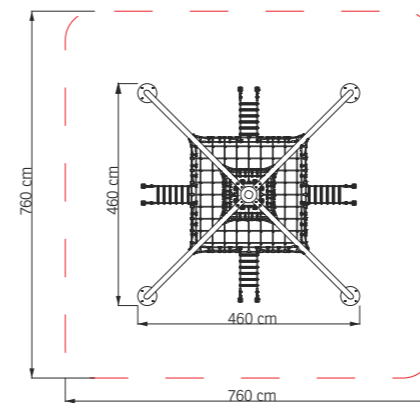


STANDARD



Top View

Side View



Colour Options



KS.H4
TOWER CLIMBING SYSTEM



NUMBER OF USERS



USER AGE



PRODUCT HEIGHT



FALL HEIGHT



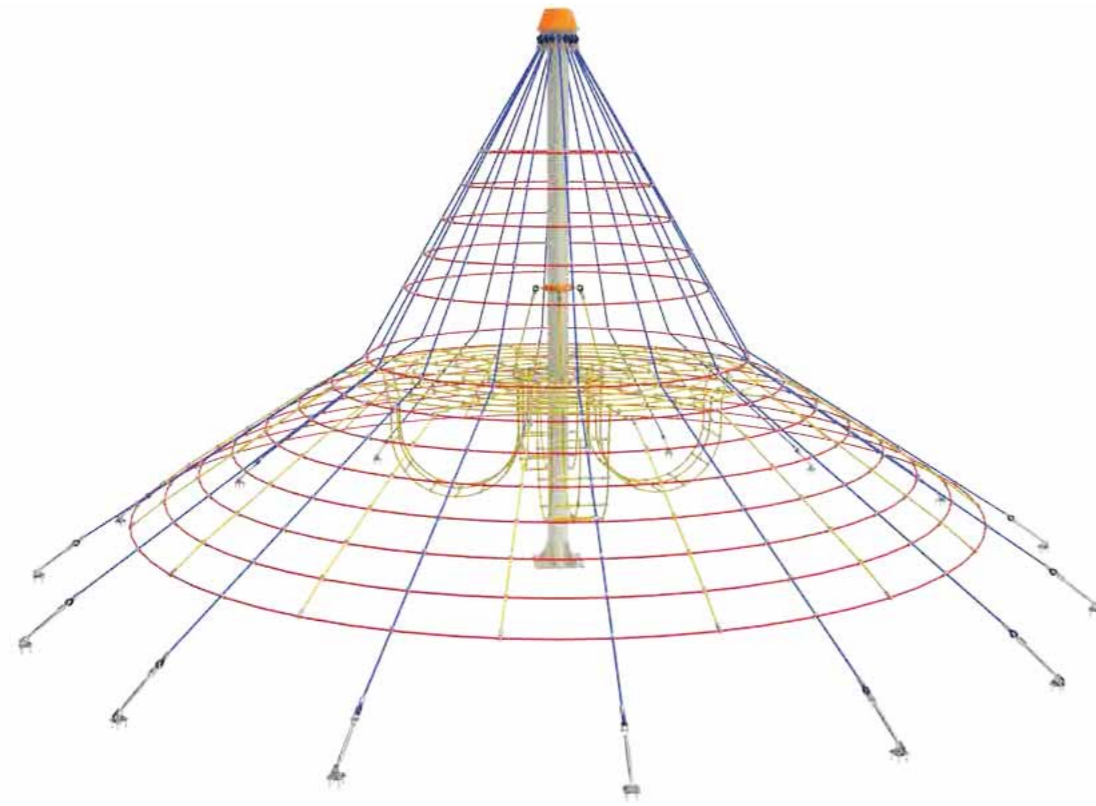
SECURED FIELD



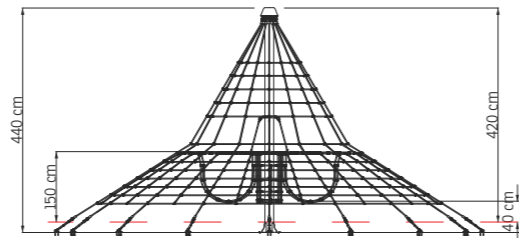
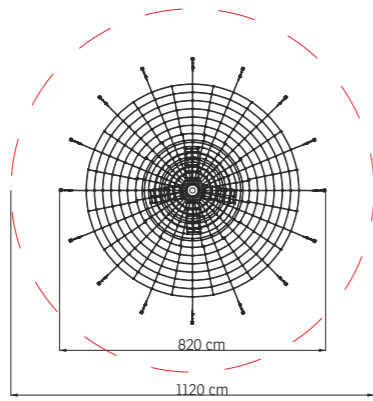
SITTING FIELD



STANDARD



Top View Side View



Colour Options



ST.H45
OCTAGON ROPE CLIMBING



NUMBER OF USERS



USER AGE



PRODUCT HEIGHT



FALL HEIGHT



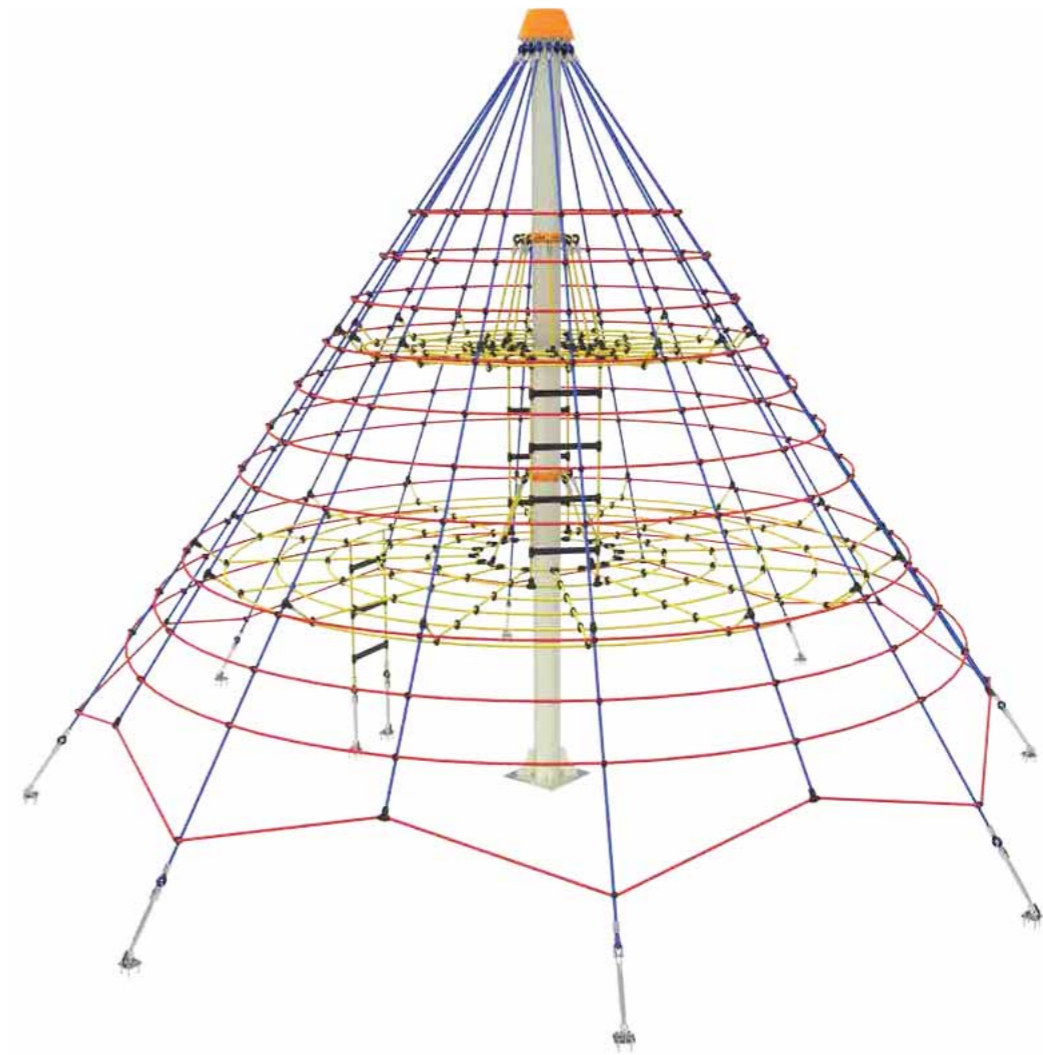
SECURED FIELD



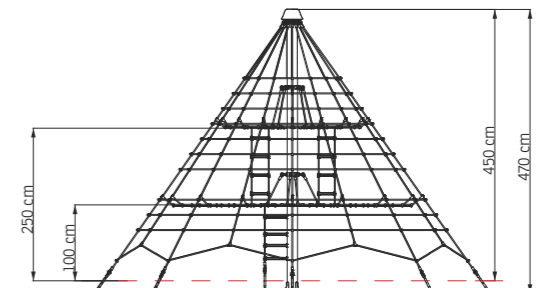
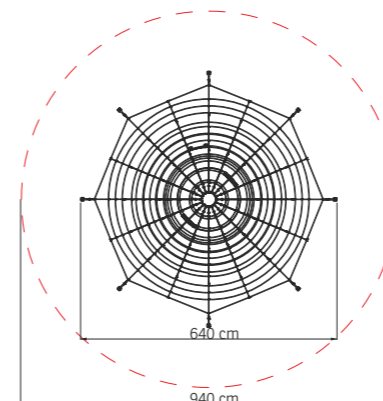
SITTING FIELD



STANDARD



Top View Side View



Colour Options



ZT.H64
ZIGZAG CLIMBING



NUMBER OF USERS



USER AGE



PRODUCT HEIGHT



FALL HEIGHT



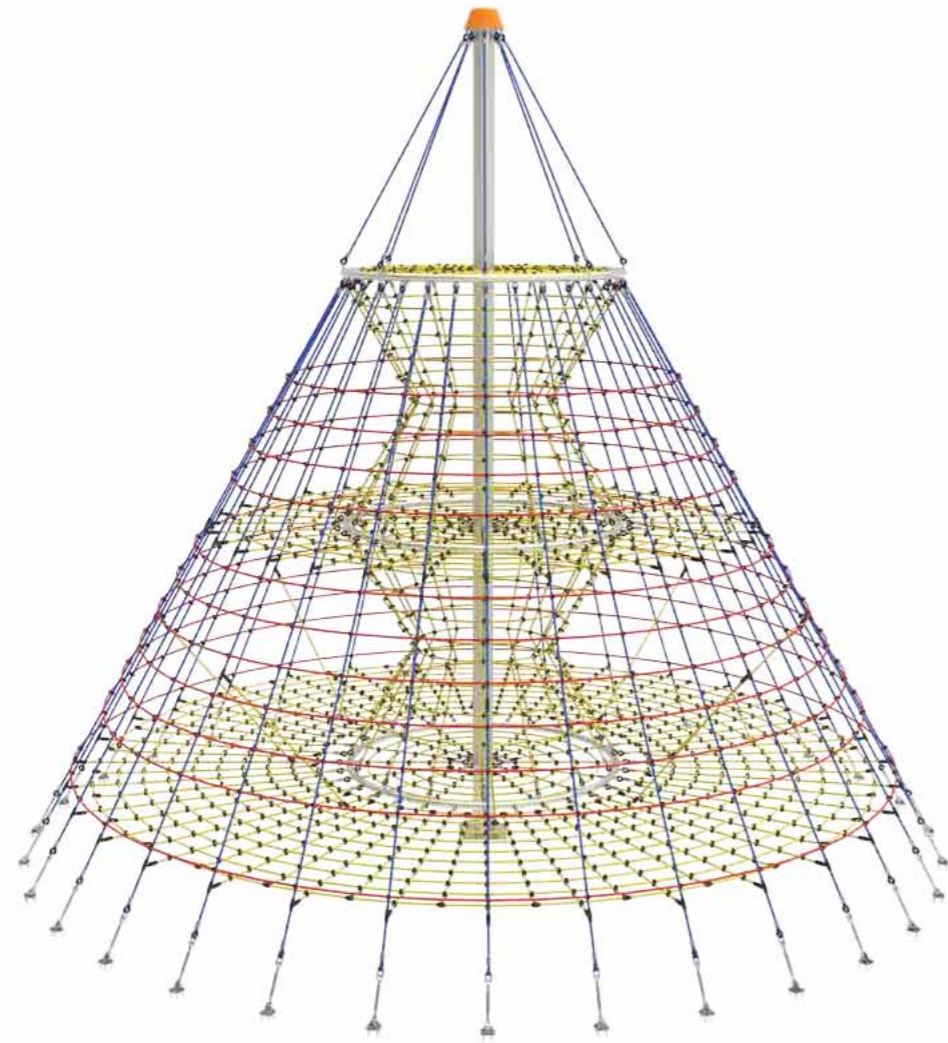
SECURED FIELD



SITTING FIELD

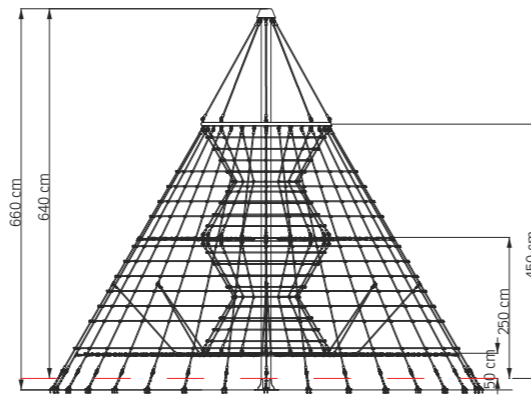
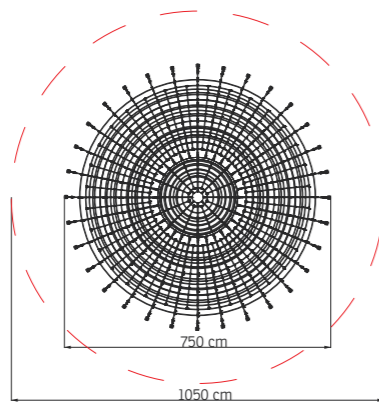


STANDARD



Top View

Side View



Colour Options



KS.H9
TOWER CLIMBING SYSTEM



NUMBER OF USERS



USER AGE



PRODUCT HEIGHT



FALL HEIGHT



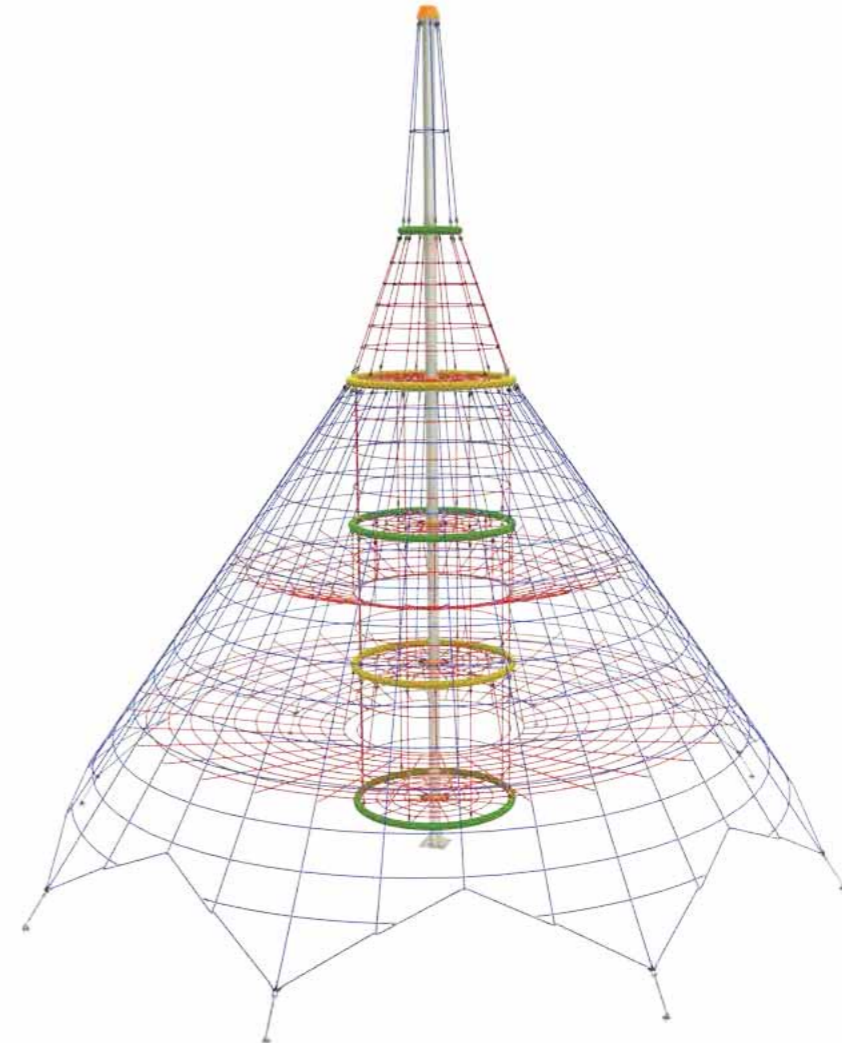
SECURED FIELD



SITTING FIELD

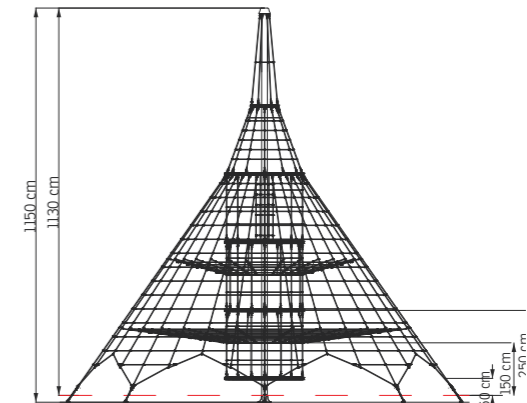
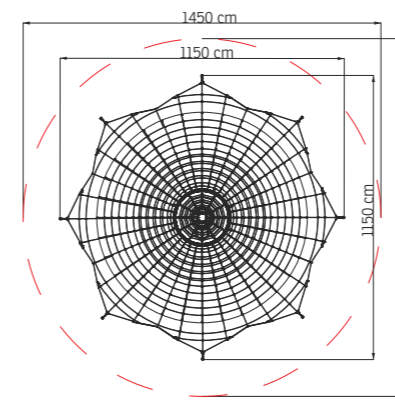


STANDARD



Top View

Side View



Colour Options







max 30
NUMBER OF USERS



+6
USER AGE



2.8 m
PRODUCT HEIGHT



1 m
FALL HEIGHT



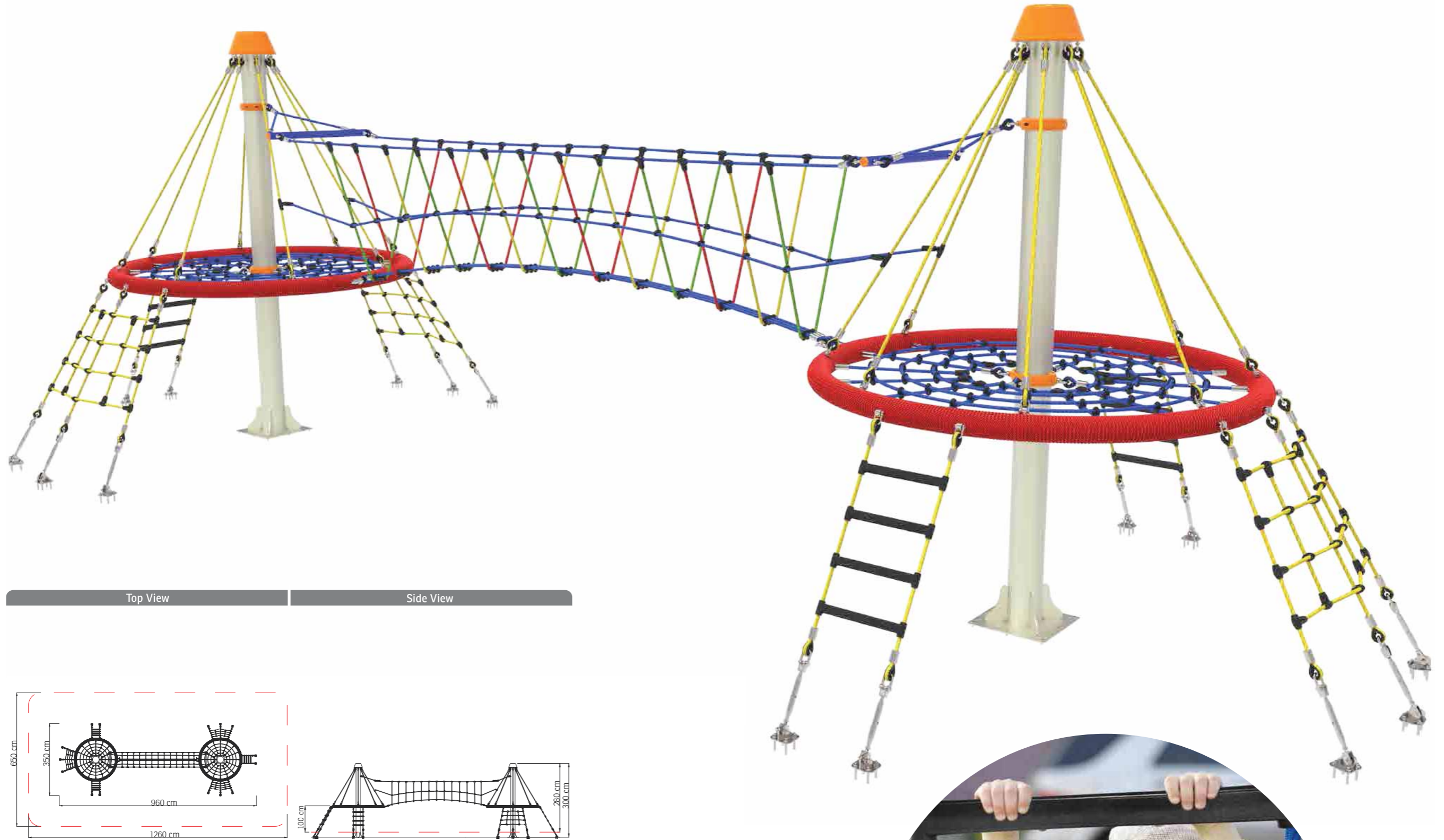
6.5x12.6 m
SECURED FIELD



3.5x9.6 m
SITTING FIELD

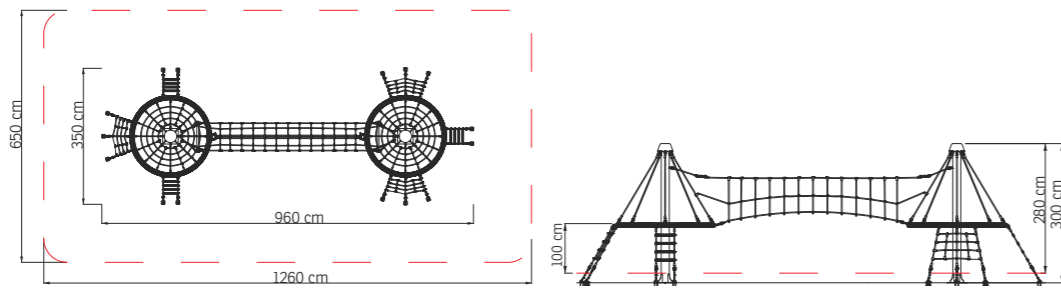


EN 1176
STANDARD



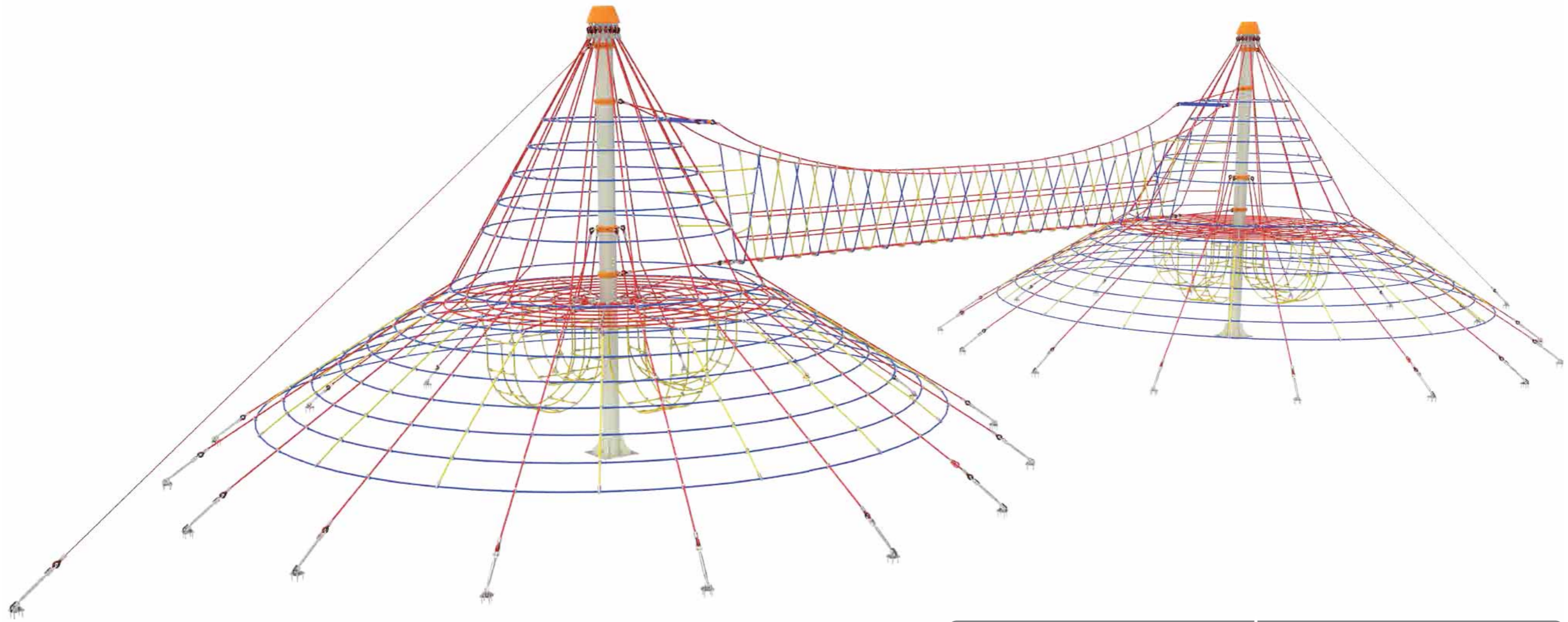
Top View

Side View

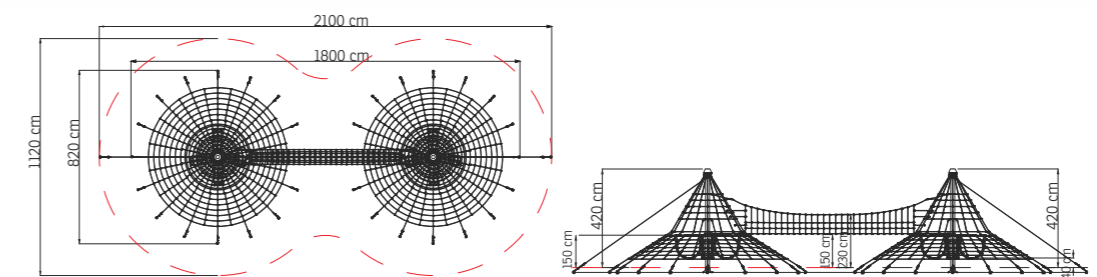


Colour Options





Top View Side View



Colour Options



NUMBER OF USERS



USER AGE



PRODUCT HEIGHT



FALL HEIGHT



SECURED FIELD



SITTING FIELD



STANDARD



MK.01
ADVENTURE BRIDGE



NUMBER OF USERS



USER AGE



PRODUCT HEIGHT



FALL HEIGHT



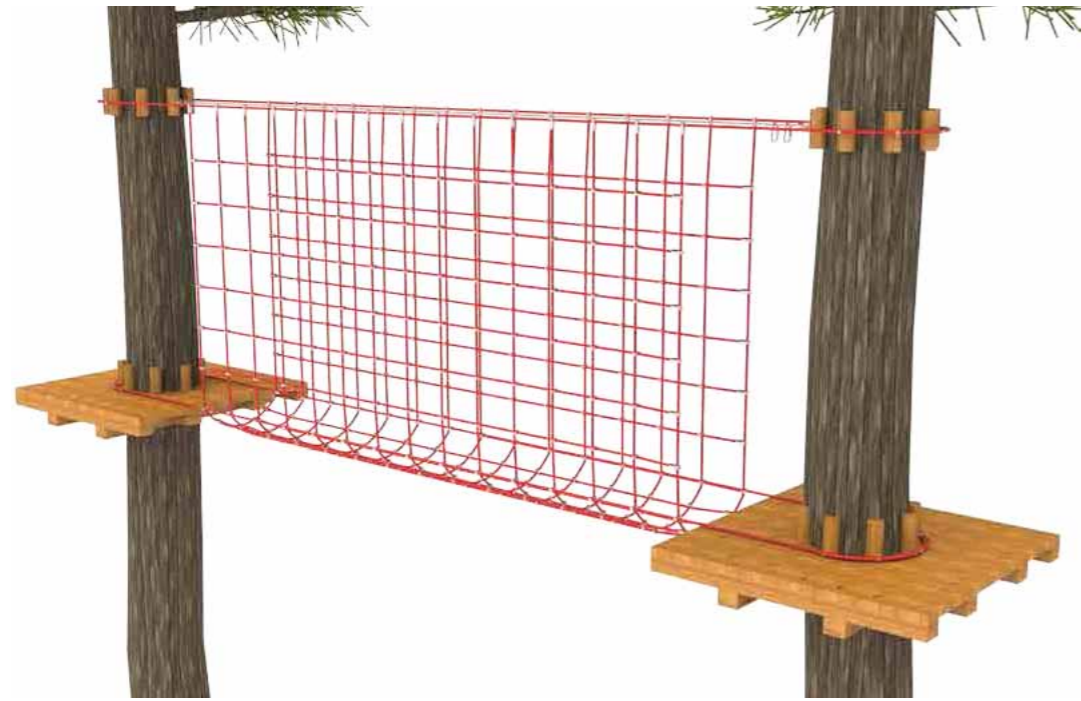
SECURED FIELD



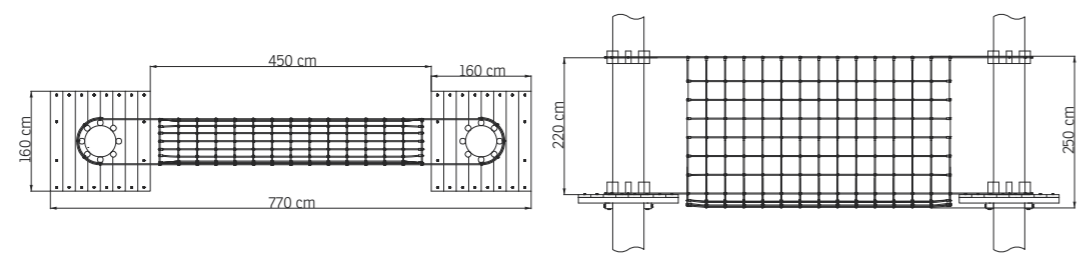
SITTING FIELD



STANDARD



Top View Side View



Colour Options



MK.02
ADVENTURE BRIDGE



NUMBER OF USERS



USER AGE



PRODUCT HEIGHT



FALL HEIGHT



SECURED FIELD



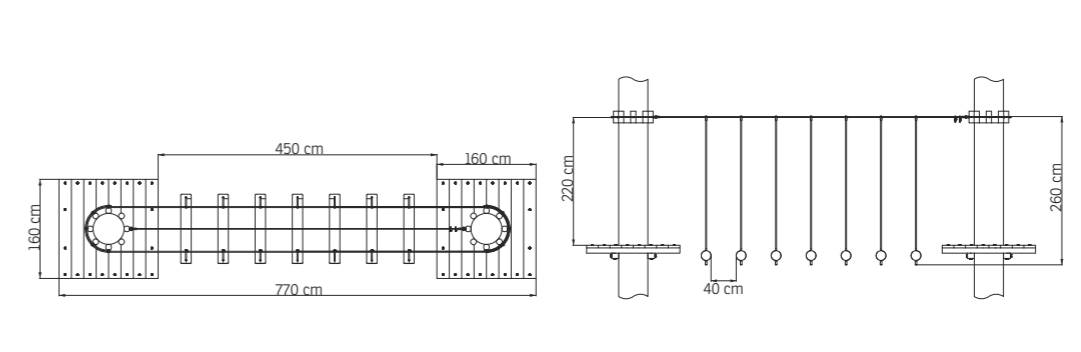
SITTING FIELD



STANDARD



Top View Side View



Colour Options



MK.03
ADVENTURE BRIDGE



NUMBER OF USERS



USER AGE



PRODUCT HEIGHT



FALL HEIGHT



SECURED FIELD



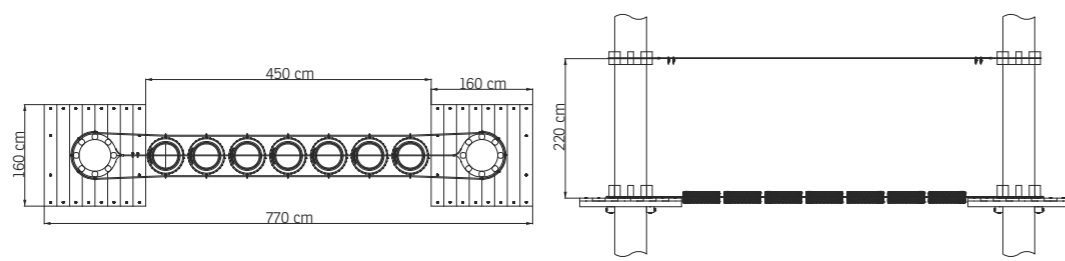
SITTING FIELD



STANDARD



Top View Side View



Colour Options



MK.04
ADVENTURE BRIDGE



NUMBER OF USERS



USER AGE



PRODUCT HEIGHT



FALL HEIGHT



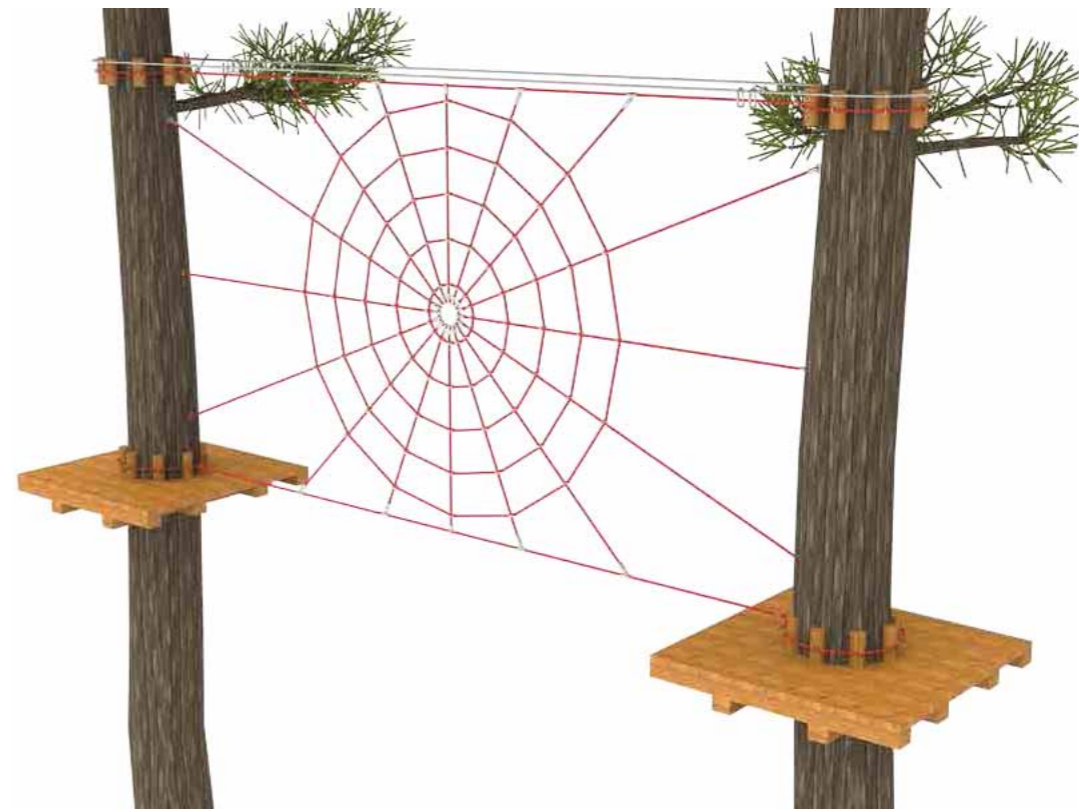
SECURED FIELD



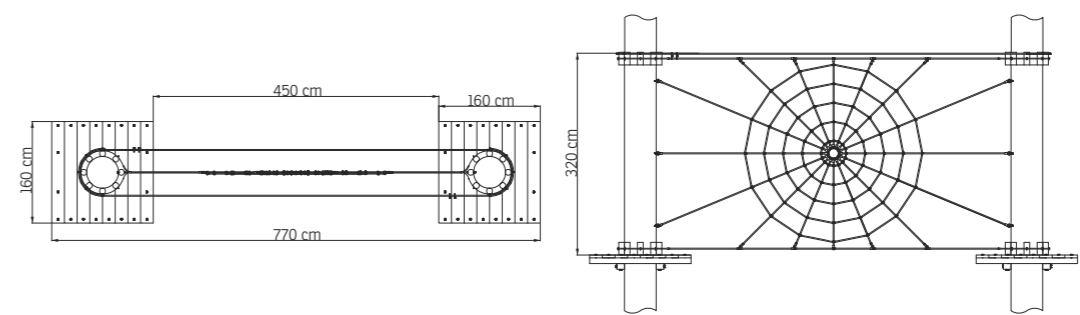
SITTING FIELD



STANDARD



Top View Side View



Colour Options





MK.05
ADVENTURE BRIDGE



NUMBER OF USERS



USER AGE



PRODUCT HEIGHT



FALL HEIGHT



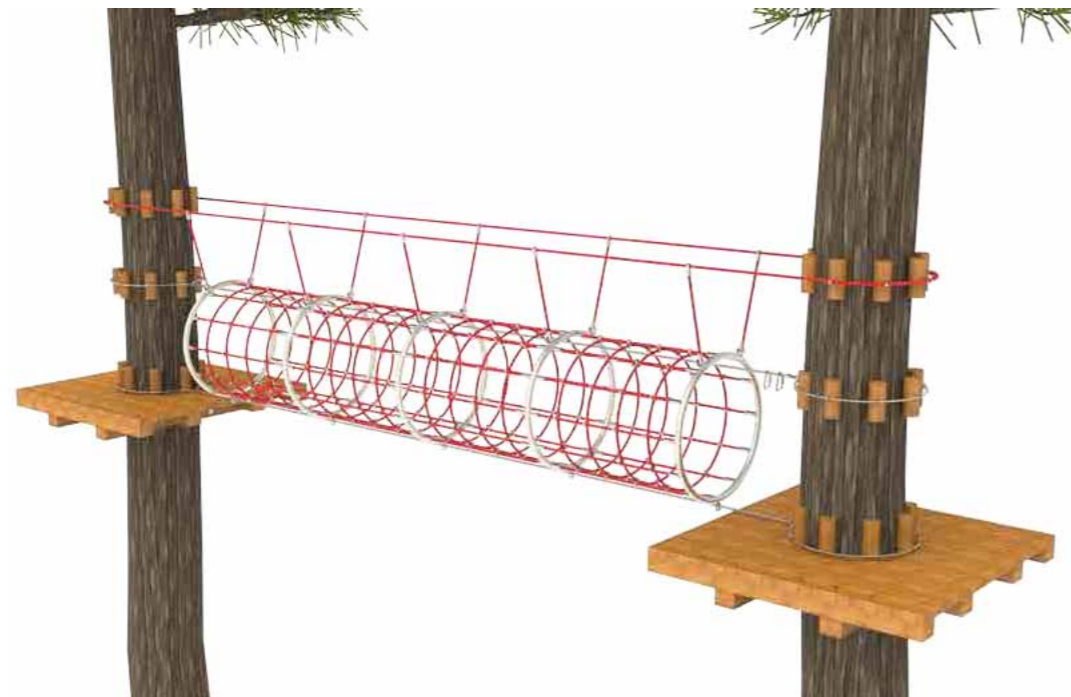
SECURED FIELD



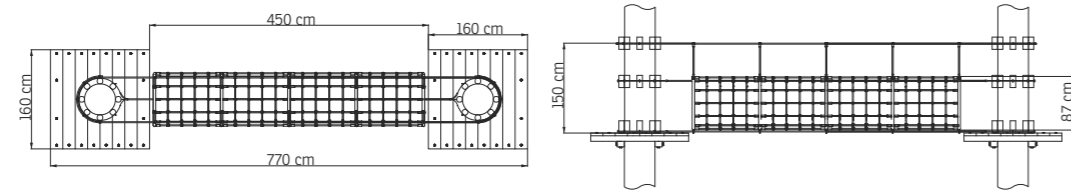
SITTING FIELD



STANDARD



Top View Side View



Colour Options



MK.06
ADVENTURE BRIDGE



NUMBER OF USERS



USER AGE



PRODUCT HEIGHT



FALL HEIGHT



SECURED FIELD



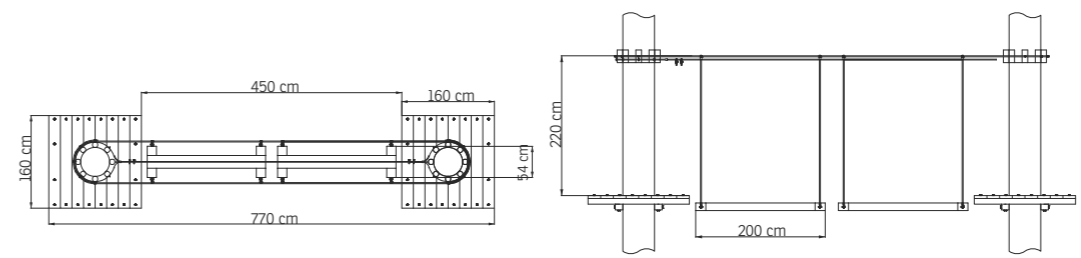
SITTING FIELD



STANDARD



Top View Side View



Colour Options



MK.07
ADVENTURE BRIDGE



NUMBER OF USERS



USER AGE



PRODUCT HEIGHT



FALL HEIGHT



SECURED FIELD



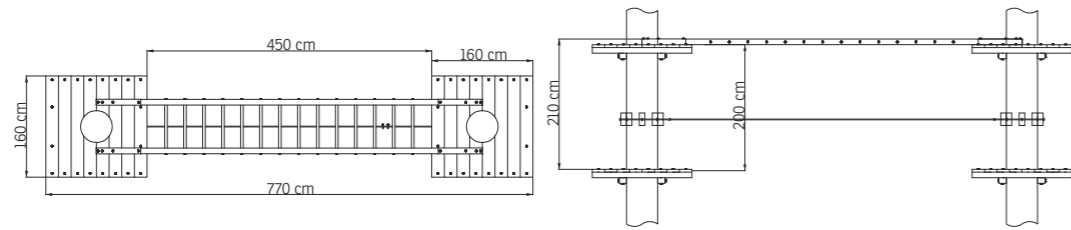
SITTING FIELD



STANDARD



Top View Side View



Colour Options



MK.08
ADVENTURE BRIDGE



NUMBER OF USERS



USER AGE



PRODUCT HEIGHT



FALL HEIGHT



SECURED FIELD



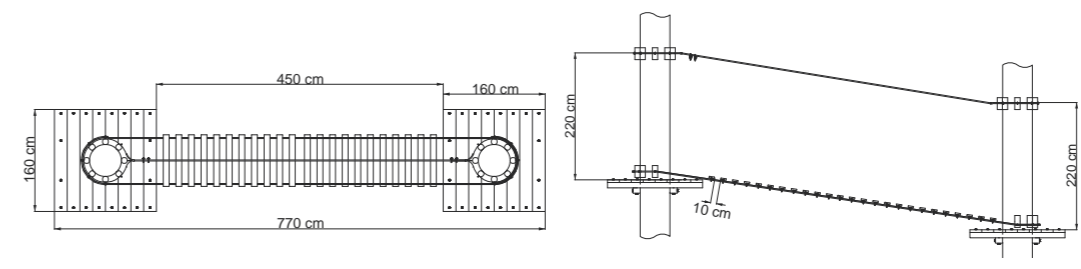
SITTING FIELD



STANDARD



Top View Side View



Colour Options



MK.09
ADVENTURE BRIDGE



NUMBER OF USERS



USER AGE



PRODUCT HEIGHT



FALL HEIGHT



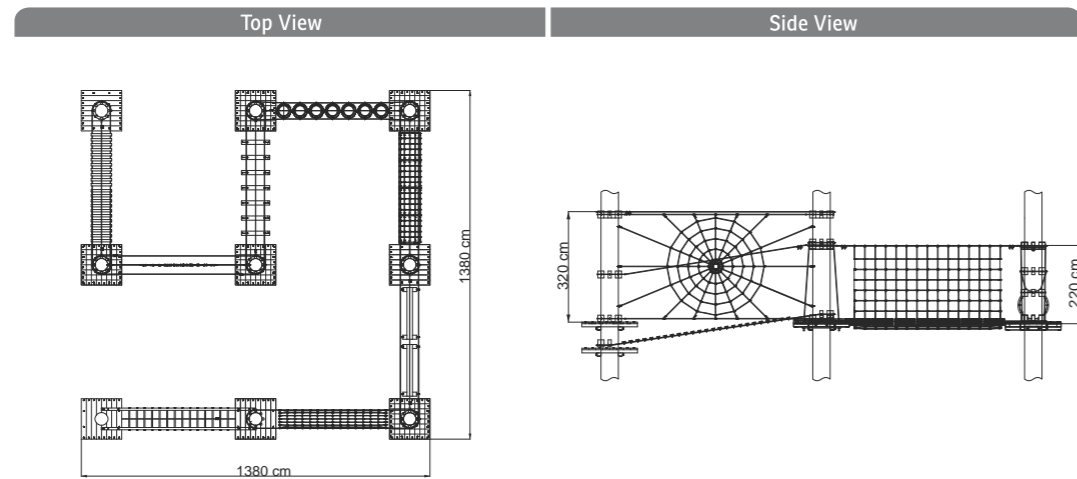
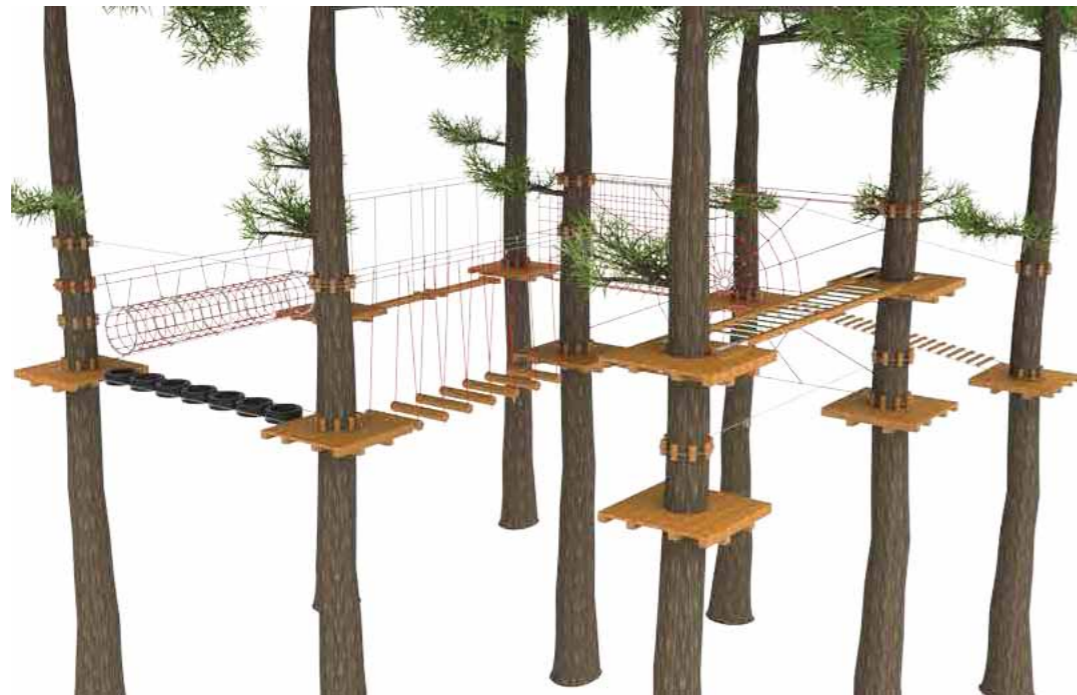
SECURED FIELD



SITTING FIELD



STANDARD



Colour Options





NUMBER OF USERS



USER AGE



PRODUCT HEIGHT



FALL HEIGHT



SECURED FIELD

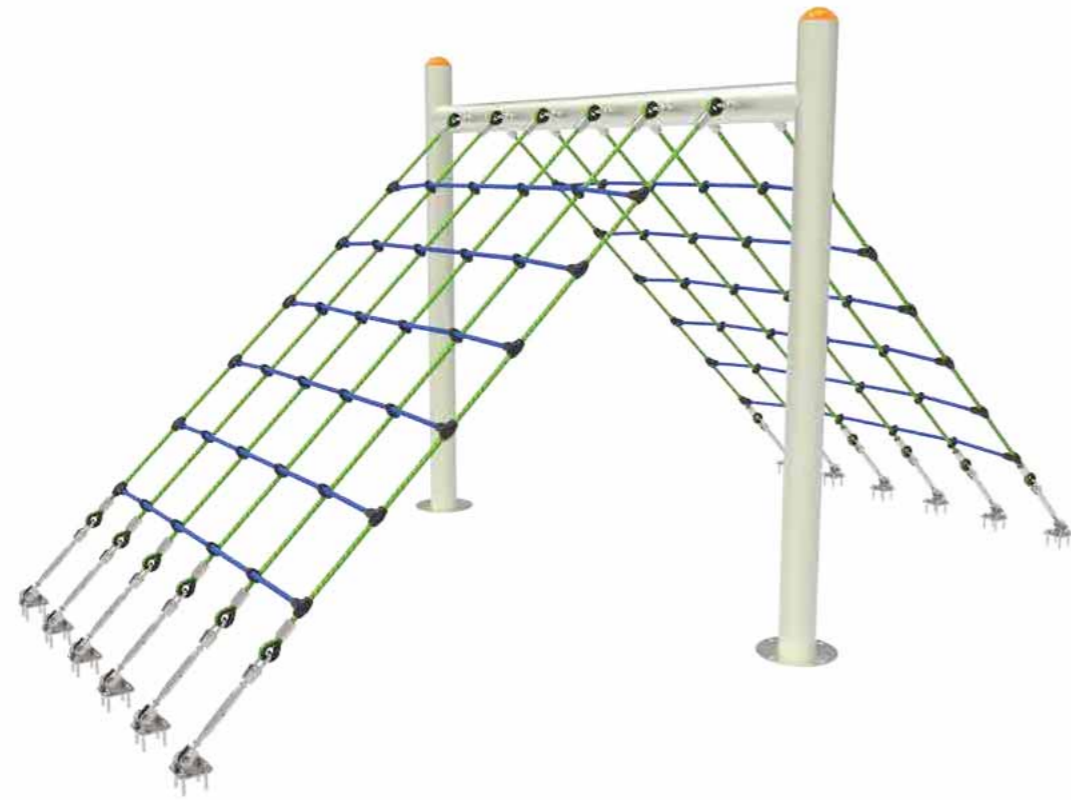


SITTING FIELD

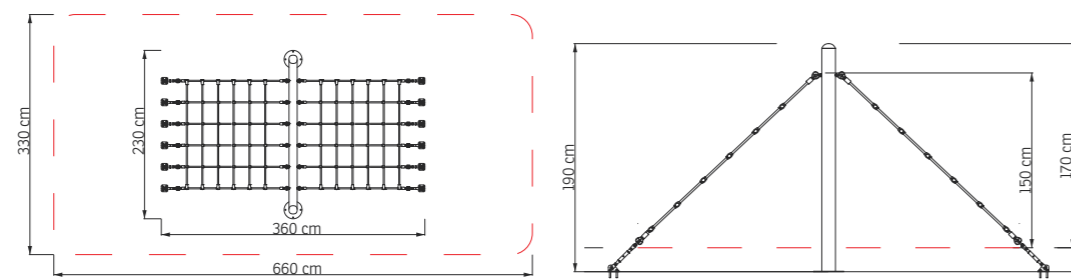


EN 1176

STANDARD



Top View Side View



Colour Options



NUMBER OF USERS



USER AGE



PRODUCT HEIGHT



FALL HEIGHT



SECURED FIELD



SITTING FIELD

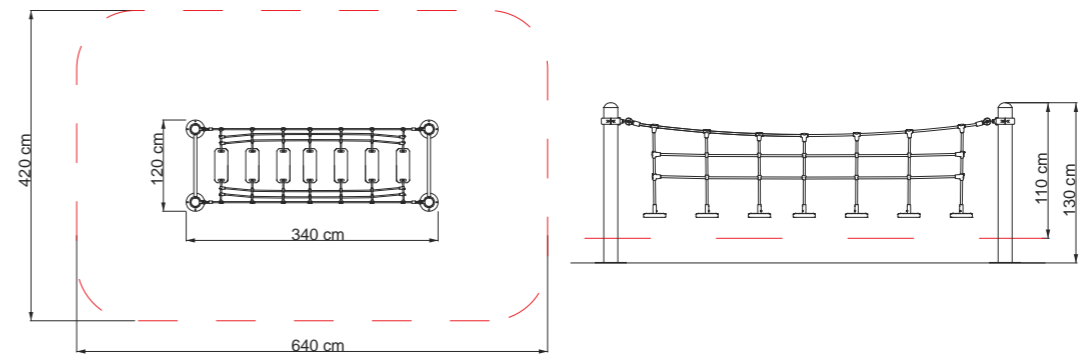


EN 1176

STANDARD



Top View Side View



Colour Options



SH.01
SPIDER'S NEST



NUMBER OF USERS



USER AGE



PRODUCT HEIGHT



FALL HEIGHT



SECURED FIELD



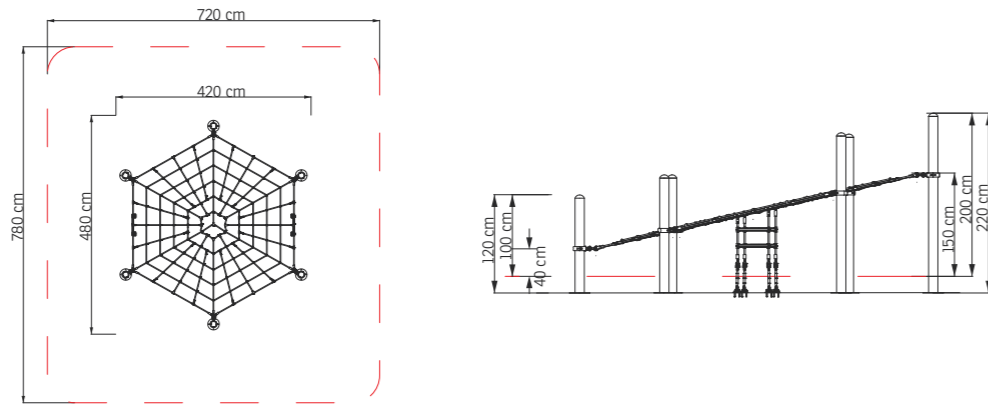
SITTING FIELD



STANDARD



Top View Side View



Colour Options



ETH.H12
CLIMBING JOY RING



NUMBER OF USERS



USER AGE



PRODUCT HEIGHT



FALL HEIGHT



SECURED FIELD



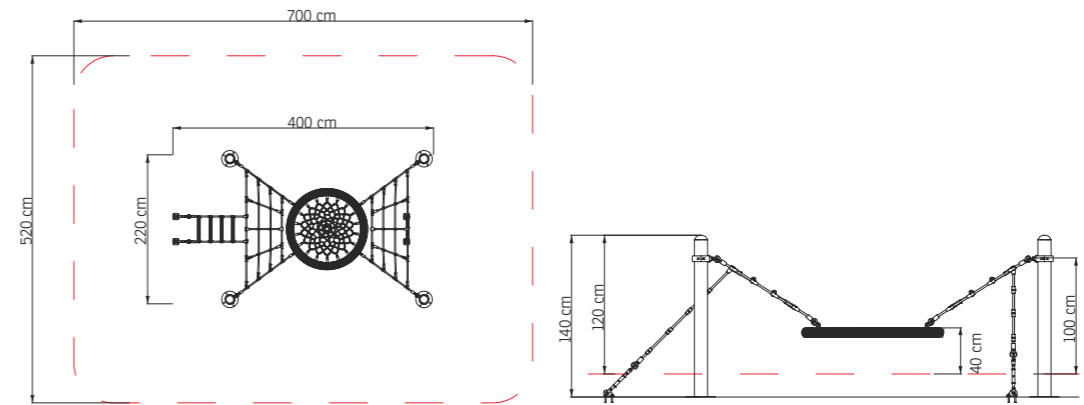
SITTING FIELD



STANDARD



Top View Side View



Colour Options





NUMBER OF USERS



USER AGE



PRODUCT HEIGHT



FALL HEIGHT



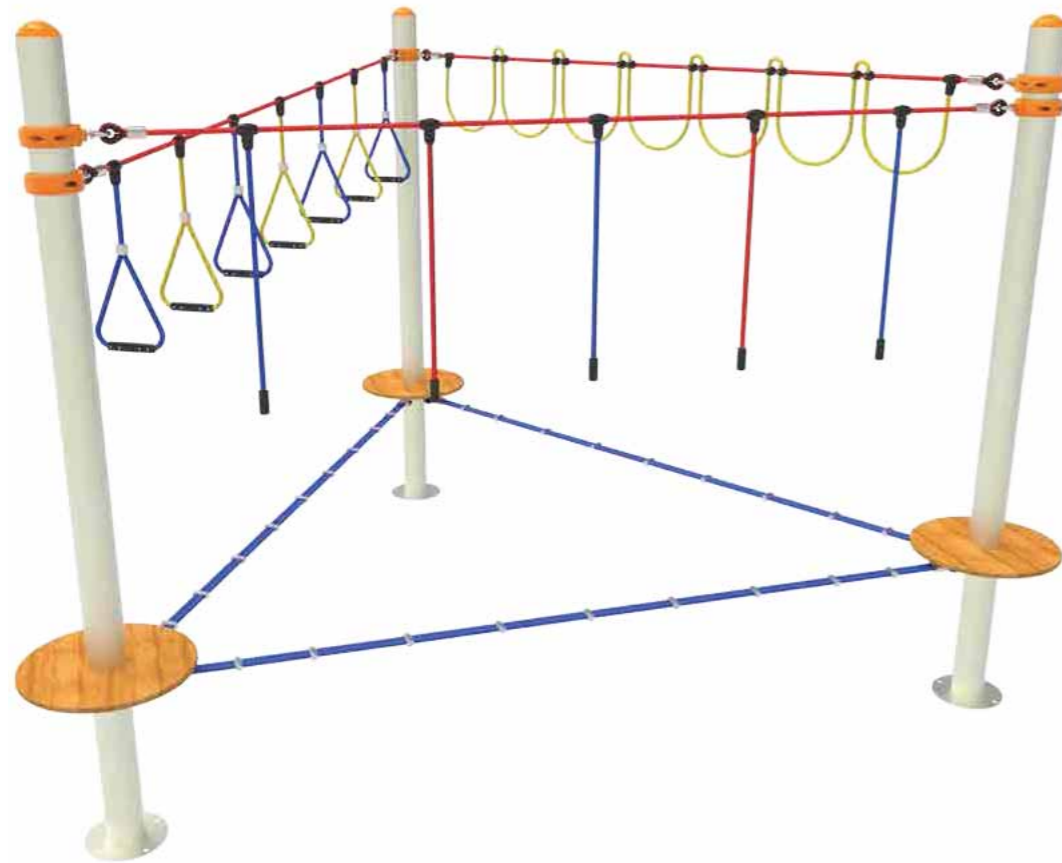
SECURED FIELD



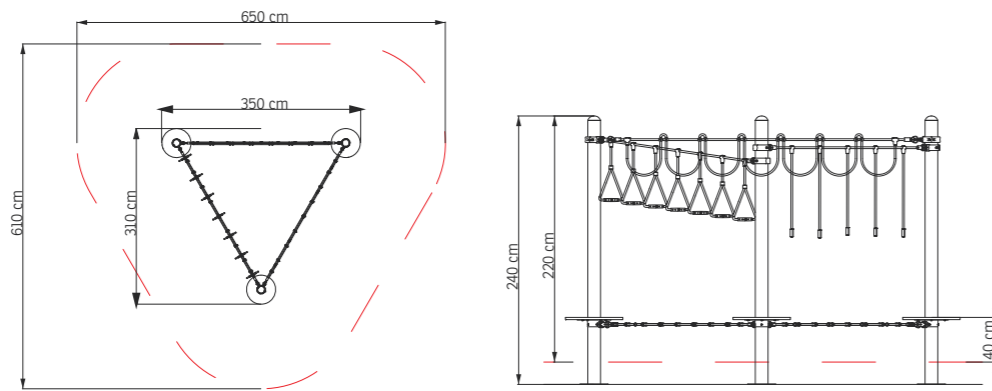
SITTING FIELD



STANDARD



Top View Side View



Colour Options



NUMBER OF USERS



USER AGE



PRODUCT HEIGHT



FALL HEIGHT



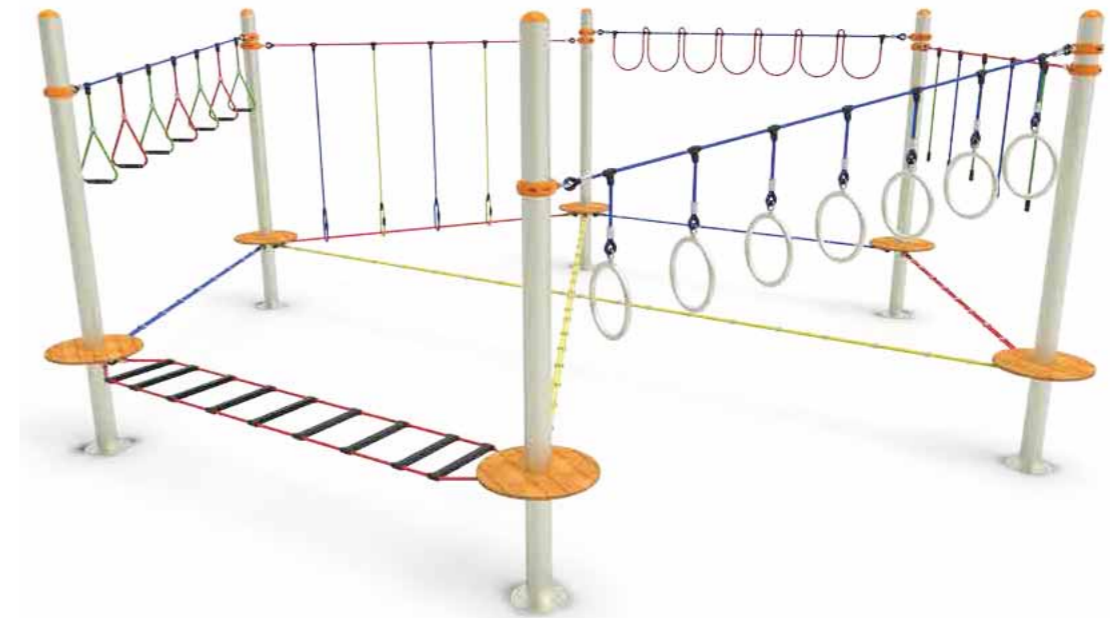
SECURED FIELD



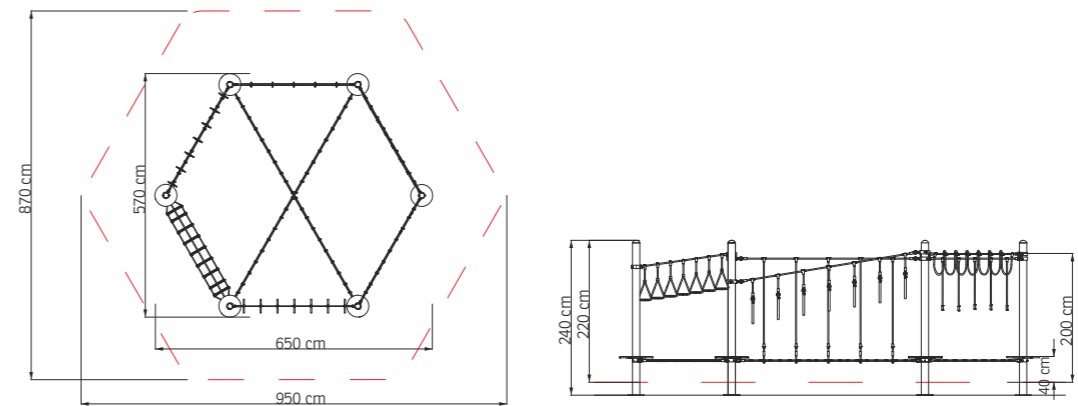
SITTING FIELD



STANDARD



Top View Side View



Colour Options





EH.H48
JOY RING



NUMBER OF USERS



USER AGE



PRODUCT HEIGHT



FALL HEIGHT



SECURED FIELD



SITTING FIELD

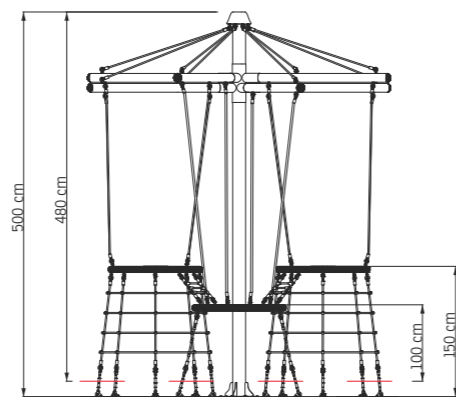
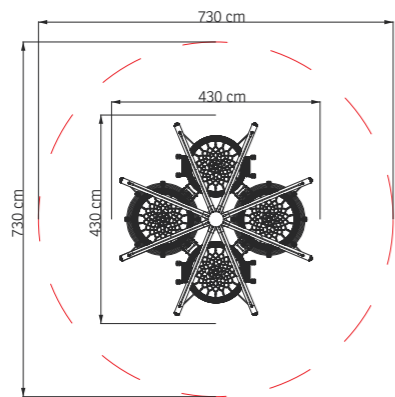


STANDARD



Top View

Side View



Colour Options



EH.O1
JOY RING



NUMBER OF USERS



USER AGE



PRODUCT HEIGHT



FALL HEIGHT



SECURED FIELD



SITTING FIELD

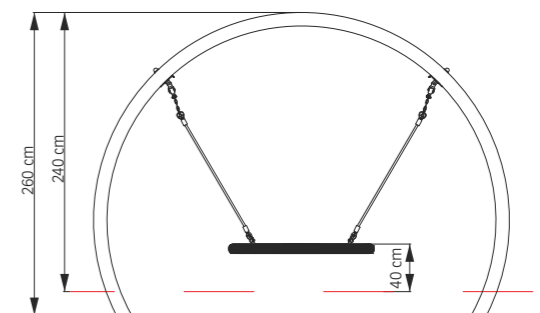
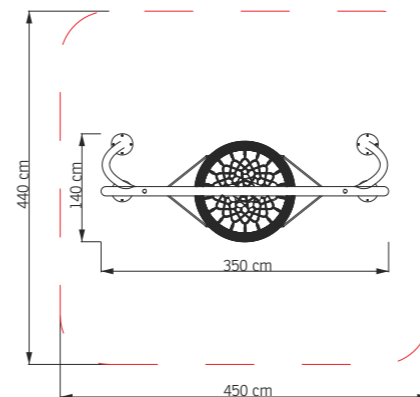


STANDARD



Top View

Side View



Colour Options

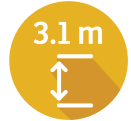




NUMBER OF USERS



USER AGE



PRODUCT HEIGHT



FALL HEIGHT



SECURED FIELD



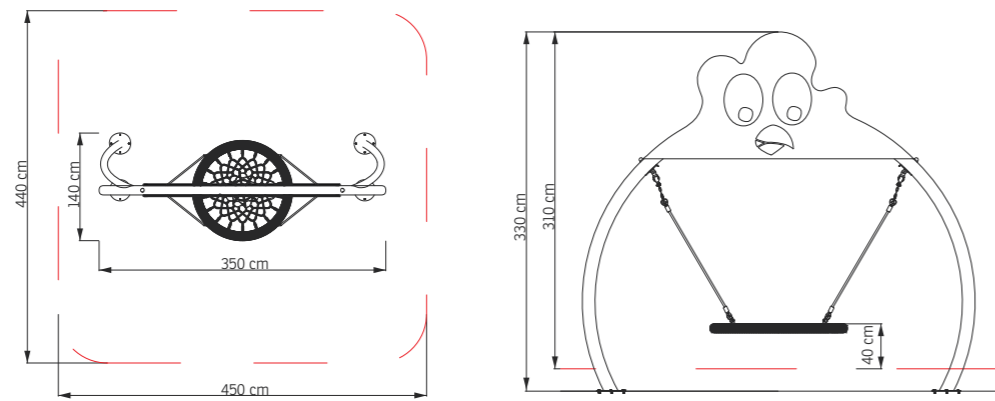
SITTING FIELD



STANDARD



Top View Side View



Colour Options



NUMBER OF USERS



USER AGE



PRODUCT HEIGHT



FALL HEIGHT



SITTING FIELD



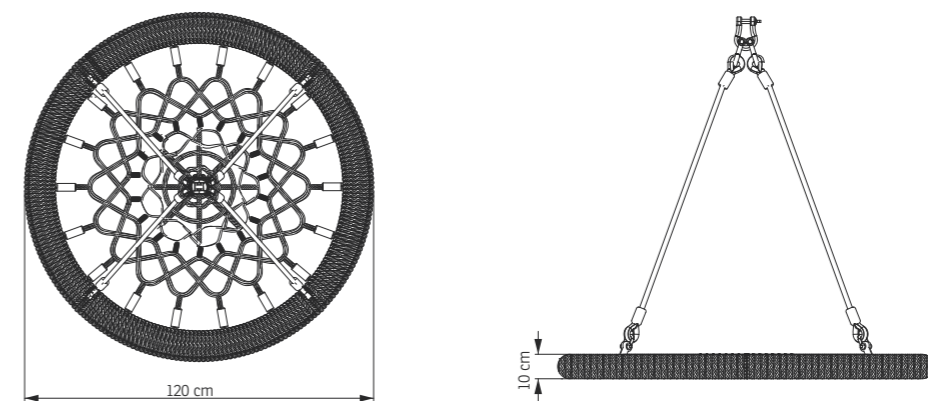
SITTING FIELD



STANDARD



Top View Side View



Colour Options







NUMBER OF USERS



USER AGE



PRODUCT HEIGHT



FALL HEIGHT



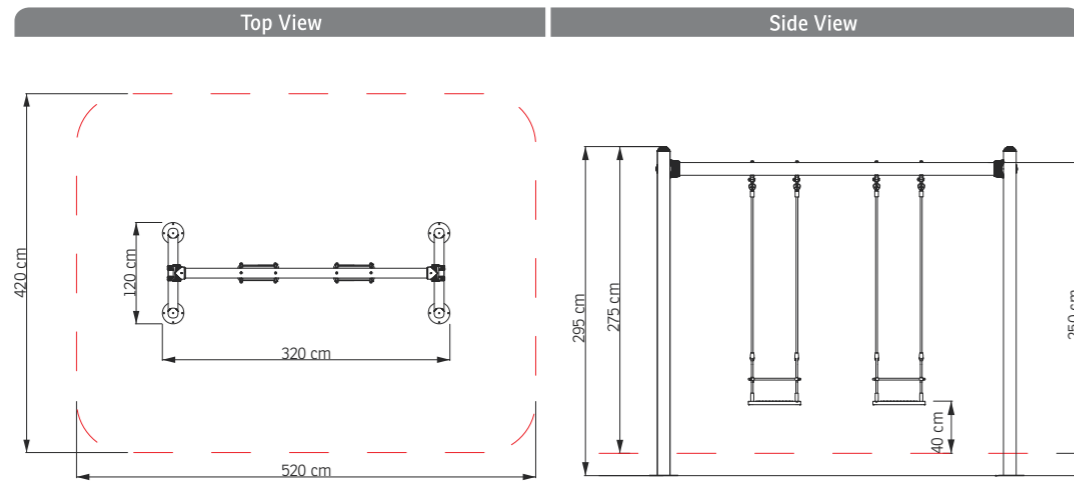
SECURED FIELD



SITTING FIELD



STANDARD



Colour Options



NUMBER OF USERS



USER AGE



PRODUCT HEIGHT



FALL HEIGHT



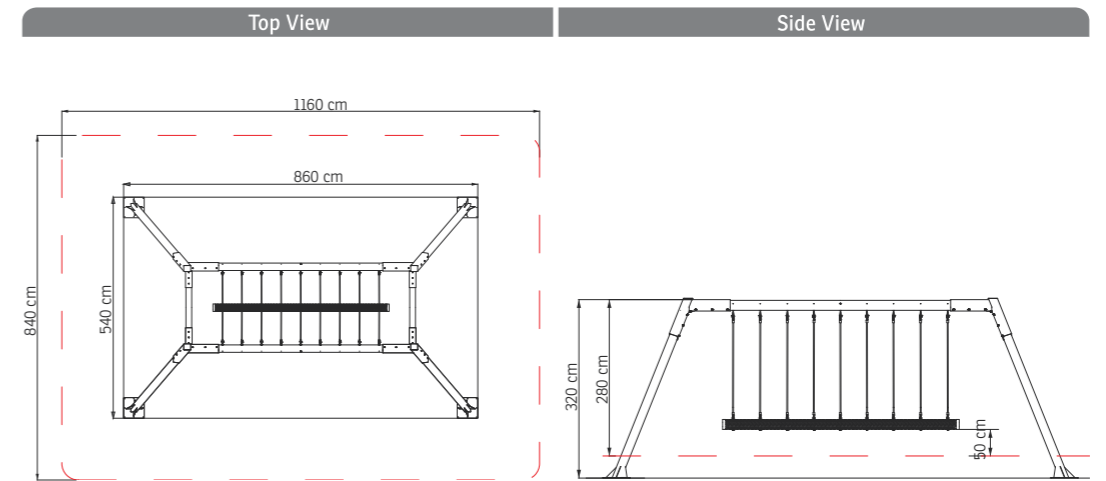
SECURED FIELD



SITTING FIELD



STANDARD



Colour Options



ROPES



LUPA® 6T SC + FC



Content

Galvanized Steel Wire Rope
Tension Strength: 1570 N/mm²
Z Twisted Rope

Technical Specifications

Material	%100 High Tenacity Polyamide Fibers + Galvanized Steel Wire Rope
Construction	6 Strand + FC
UV Resistance	Very Good
Chemical Resistance	Good
Melting Point	218 °C
Critical Temperature	130 °C
Length	200 - 500 m Coil

Article Number	Dia Ø	Weight (kg/100 m ± %5)	Breaking Load (kgf)*
PGR-04.01.16	16	0,29	3.250
PGR-04.01.18	18	0,37	4.250
PGR-04.01.20	20	0,47	5.250
PGR-04.01.22	22	0,62	7.500
PGR-04.01.24	24	0,75	9.000

*UNSPLICED BREAKING LOAD

Colour Options



LUPA® 6T SC + IWRC



Content

Galvanized Steel Wire Rope
Tension Strength: 1570 N/mm²
Z Twisted Rope

Technical Specifications

Material	%100 High Tenacity Polyamide Fibers + Galvanized Steel Wire Rope
Construction	6 Strand + IWRC
UV Resistance	Very Good
Chemical Resistance	Good
Melting Point	218 °C
Critical Temperature	130 °C
Length	200 - 500 m Coil

Article Number	Dia Ø	Weight (kg/100 m ± %5)	Breaking Load (kgf)*
PGR-04.02.16	16	0,40	5.250
PGR-04.02.18	18	0,49	6.500
PGR-04.02.20	20	0,61	8.250
PGR-04.02.22	22	0,91	13.000
PGR-04.02.24	24	1,10	15.000

*UNSPLICED BREAKING LOAD

Colour Options



CROSS-SECTION FC



CROSS-SECTION IWRC



CROSS-SECTION FC



CROSS-SECTION IWRC

LUPP® 6T SC + FC



Technical Specifications	
Material	% 100 High Tenacity Polypropylene Fiber + Galvanized Steel Wire Rope
Construction	6 Strand + FC
UV Resistance	Sufficient
Chemical Resistance	Very Good
Melting Point	165 °C
Critical Temperature	80 °C
Length	200 - 500 m Coil

Article Number	Dia Ø	Weight (kg/100 m ± %5)	Breaking Load (kgf)*
PGR-06.01.16	16	0,28	3.250
PGR-06.01.18	18	0,36	4.250
PGR-06.01.20	20	0,46	5.250
PGR-06.01.22	22	0,62	7.500
PGR-06.01.24	24	0,85	9.000

*UNSPLICED BREAKING LOAD

Content

Galvanized Steel Wire Rope
Tension Strength: 1570 N/mm²
Z Twisted Rope

Colour Options



LUPP® 6T SC + IWRC



Technical Specifications	
Material	% 100 High Tenacity Polypropylene Fiber + Galvanized Steel Wire Rope
Construction	6 Strand + IWRC
UV Resistance	Sufficient
Chemical Resistance	Very Good
Melting Point	165 °C
Critical Temperature	80 °C
Length	200 - 500 m Roda

Article Number	Dia Ø	Weight (kg/100 m ± %5)	Breaking Load (kgf)*
PGR-06.02.16	16	0,39	5.250
PGR-06.02.18	18	0,48	6.500
PGR-06.02.20	20	0,60	8.250
PGR-06.02.22	22	0,90	13.000
PGR-06.02.24	24	1,10	15.600

*UNSPLICED BREAKING LOAD

Content

Galvanized Steel Wire Rope
Tension Strength: 1570 N/mm²
Z Twisted Rope

Colour Options



LUPES® 6T SC + FC



Technical Specifications	
Material	% 100 High Tenacity Polyester Fiber + Galvanized Steel Wire Rope
Construction	6 Strand + FC
UV Resistance	Excellent
Chemical Resistance	Good
Melting Point	256 °C
Critical Temperature	170 °C
Length	200 - 500 m Coil

Article Number	Dia Ø	Weight (kg/100 m ± %5)	Breaking Load (kgf)*
PGR-02.01.16	16	0,32	3.250
PGR-02.01.16	18	0,40	4.250
PGR-02.01.16	20	0,50	5.250
PGR-02.01.16	22	0,65	7.500
PGR-02.01.16	24	0,80	9.000

*UNSPLICED BREAKING LOAD

Content

Galvanized Steel Wire Rope
Tension Strength: 1570 N/mm²
Z Twisted Rope

Colour Options



LUPES® 6T SC + IWRC



Technical Specifications	
Material	% 100 High Tenacity Polyester Fiber + Galvanized Steel Wire Rope
Construction	6 Strand + IWRC
UV Resistance	Excellent
Chemical Resistance	Good
Melting Point	256 °C
Critical Temperature	170 °C
Length	200 - 500 m Coil

Article Number	Dia Ø	Weight (kg/100 m ± %5)	Breaking Load (kgf)*
PGR-02.02.16	16	0,43	5.250
PGR-02.02.18	18	0,52	6.500
PGR-02.02.20	20	0,64	8.250
PGR-02.02.22	22	0,94	13.000
PGR-02.02.24	24	1,15	15.600

*UNSPLICED BREAKING LOAD

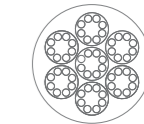
Content

Galvanized Steel Wire Rope
Tension Strength: 1570 N/mm²
Z Twisted Rope

Colour Options



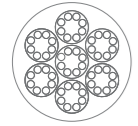
CROSS-SECTION FC



CROSS-SECTION IWRC



CROSS-SECTION FC



CROSS-SECTION IWRC

LUPA® 6T DB SC + FC



Technical Specifications	
Material	% 100 High Tenacity Polyamide Fiber + Galvanized Steel Wire Rope
Construction	6 Strands Double Braided + FC
UV Resistance	Very Good
Chemical Resistance	Good
Melting Point	218 °C
Critical Temperature	130 °C
Length	200 - 500 m Coil

Article Number	Dia Ø	Weight (kg/100 m ± %5)	Breaking Load (kgf)*
PGR-03.01.16	16	0,29	3.250
PGR-03.01.18	18	0,37	4.250
PGR-03.01.20	20	0,47	5.250
PGR-03.01.22	22	0,62	7.500
PGR-03.01.24	24	0,75	9.000

*UNSPLICED BREAKING LOAD

Content

Galvanized Steel Wire Rope
Tension Strength: 1570 N/mm²
Z Twisted Rope

Colour Options



LUPA® 6T DB SC + IWRC



Technical Specifications	
Material	% 100 High Tenacity Polyamide Fiber + Galvanized Steel Wire Rope
Construction	6 Strands Double Braided + IWRC
UV Resistance	Very Good
Chemical Resistance	Good
Melting Point	218 °C
Critical Temperature	130 °C
Length	200 - 500 m Coil

Article Number	Dia Ø	Weight (kg/100 m ± %5)	Breaking Load (kgf)*
PGR-03.02.16	16	0,40	5.250
PGR-03.02.18	18	0,49	6.500
PGR-03.02.20	20	0,61	8.250
PGR-03.02.22	22	0,91	13.000
PGR-03.02.24	24	1,10	15.600

*UNSPLICED BREAKING LOAD

Content

Galvanized Steel Wire Rope
Tension Strength: 1570 N/mm²
Z Twisted Rope

Colour Options



LUPP® 6T DB SC + FC



Technical Specifications	
Material	% 100 High Tenacity Polypropylene Fiber + Galvanized Steel Wire Rope
Construction	6 Strands Double Braided + FC
UV Resistance	Sufficient
Chemical Resistance	Very Good
Melting Point	165 °C
Critical Temperature	80 °C
Length	200 - 500 m Coil

Article Number	Dia Ø	Weight (kg/100 m ± %5)	Breaking Load (kgf)*
PGR-05.01.16	16	0,28	3.250
PGR-05.01.18	18	0,36	4.250
PGR-05.01.20	20	0,46	5.250
PGR-05.01.22	22	0,62	7.500
PGR-05.01.24	24	0,85	9.000

*UNSPLICED BREAKING LOAD

Content

Galvanized Steel Wire Rope
Tension Strength: 1570 N/mm²
Z Twisted Rope

Colour Options



LUPP® 6T DB SC + IWRC



Technical Specifications	
Material	% 100 High Tenacity Polypropylene Fiber + Galvanized Steel Wire Rope
Construction	6 Strands Double Braided + IWRC
UV Resistance	Sufficient
Chemical Resistance	Very Good
Melting Point	165 °C
Critical Temperature	80 °C
Length	200 - 500 m Coil

Article Number	Çap Ø	Weight (kg/100 m ± %5)	Breaking Load (kgf)*
PGR-05.02.16	16	0,39	5.250
PGR-05.02.18	18	0,48	6.500
PGR-05.02.20	20	0,60	8.250
PGR-05.02.22	22	0,90	13.000
PGR-05.02.24	24	1,10	15.600

*UNSPLICED BREAKING LOAD

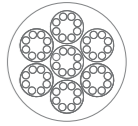
Content

Galvanized Steel Wire Rope
Tension Strength: 1570 N/mm²
Z Twisted Rope

Colour Options



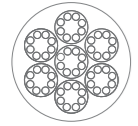
CROSS-SECTION FC



CROSS-SECTION IWRC



CROSS-SECTION FC



CROSS-SECTION IWRC

LUPES® 6T DB SC + FC



Technical Specifications	
Material	% 100 High Tenacity Polyester Fiber + Galvanized Steel Wire Rope
Construction	6 Strand Double Braided + FC
UV Resistance	Excellent
Chemical Resistance	Good
Melting Point	256 °C
Critical Temperature	170 °C
Length	200 - 500 m Coil

Article Number	Dia Ø	Weight (kg/100 m ± %5)	Breaking Load (kgf)*
PGR-01.01.16	16	0,32	3.250
PGR-01.01.18	18	0,40	4.250
PGR-01.01.20	20	0,50	5.250
PGR-01.01.22	22	0,65	7.500
PGR-01.01.24	24	0,80	9.000

***UNSPLICED BREAKING LOAD**

Content

Galvanized Steel Wire Rope
Tension Strength: 1570 N/mm²
Z Twisted Rope

Colour Options



LUPES® 6T DB SC + IWRC



Technical Specifications	
Material	% 100 High Tenacity Polyester Fiber + Galvanized Steel Wire Rope
Construction	6 Strand Double Braided + IWRC
UV Resistance	Excellent
Chemical Resistance	Good
Melting Point	256 °C
Critical Temperature	170 °C
Length	200 - 500 m Coil

Article Number	Dia Ø	Weight (kg/100 m ± %5)	Breaking Load (kgf)*
PGR-01.02.16	16	0,43	5.250
PGR-01.02.18	18	0,52	6.500
PGR-01.02.20	20	0,64	8.250
PGR-01.02.22	22	0,94	13.000
PGR-01.02.24	24	1,15	15.600

***UNSPLICED BREAKING LOAD**

Content

Galvanized Steel Wire Rope
Tension Strength: 1570 N/mm²
Z Twisted Rope

Colour Options



LUPP® 4T SC + FC



Technical Specifications	
Material	% 100 High Tenacity Polypropylene Fiber + Galvanized Steel Wire Rope
Construction	4 Strand + FC
UV Resistance	Sufficient
Chemical Resistance	Very Good
Melting Point	165 °C
Critical Temperature	80 °C
Length	200 - 500 m Coil

Article Number	Dia Ø	Weight (kg/100 m ± %5)	Breaking Load (kgf)*
PGR-08.01.16	16	0,22	2.250
PGR-08.01.18	18	0,28	3.250
PGR-08.01.20	20	0,36	4.250
PGR-08.01.22	22	0,46	5.250
PGR-08.01.24	24	0,62	7.500

***UNSPLICED BREAKING LOAD**

Content

Galvanized Steel Wire Rope
Tension Strength: 1570 N/mm²
Z Twisted Rope

Colour Options



LUPP® SEAT



Technical Specifications	
Material	% 100 High Tenacity Polypropylene Fiber + Galvanized Steel Wire Rope
Construction	Double Braided + IWRC
UV Resistance	Sufficient
Chemical Resistance	Very Good
Melting Point	165 °C
Critical Temperature	80 °C
Length	1-5 mt

Article Number	Dia Ø	Weight (kg/100 m ± %5)	Breaking Load (kgf)*
PGR-12.01.140	140	7,5	180.000
PGR-12.01.150	150	8,75	190.000
PGR-12.01.160	160	10	200.000

***UNSPLICED BREAKING LOAD**

Content

Polypropylene
Galvanized Steel Wire Rope

Colour Options

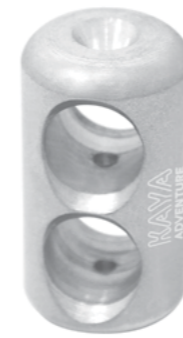


CROSS-SECTION FC

CONNECTORS AND PERSONAL PROTECTIVE EQUIPMENT



ADV.AL.H



ALUMINUM H CONNECTOR

Technical Specifications

Weight 52.72 gr



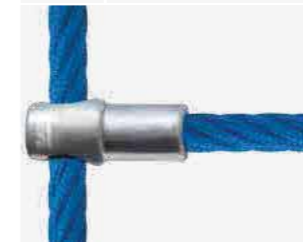
ADV.AL.T



ALUMINUM T CONNECTOR

Technical Specifications

Weight 58.15 gr



ADV.AL.X



ALUMINUM X CONNECTOR

Technical Specifications

Weight 42.45 gr



ADV.AL.MIS



ALUMINUM HINGED ROPE END CONNECTOR

Technical Specifications

Weight 78.78 gr



ADV.AL.IS



ALUMINUM ROPE END CONNECTOR

Technical Specifications

Weight 77.08 gr



ADV.AL.IB



ALUMINUM ROPE MERGING CONNECTOR

Technical Specifications

Weight 69.09 gr



AL

CONTENT

PA66

CONTENT

ADV.KRS.14.16.T



T CONNECTOR FERRULES

Technical Specifications

Weight 150 gr



ADV.KRS.14-16-18 OVL



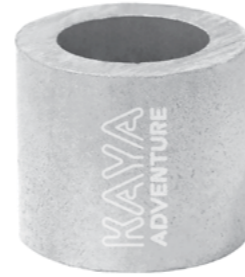
OVAL SHAPE FERRULES

Technical Specifications

Weight 38.99 gr



ADV.KRS.14-16 DUZ



STANDARD TYPE
FERRULES

Technical Specifications

Weight 24.34 gr



ADV.PL.MT



PLASTIC HINGED
CONNECTOR

Technical Specifications

Weight 77.72 gr



ADV.PL.IB



PLASTIC ROPE MERGING
CONNECTOR

Technical Specifications

Weight 55.99 gr



ADV.PL.IS



PLASTIC ROPE END
CONNECTOR

Technical Specifications

Weight 40.10 gr



ADV.PL.X



PLASTIC X CONNECTOR

Technical Specifications

Weight 26.39 gr



ADV.PL.X2



PLASTIC TWO-PIECE X
CONNECTOR

Technical Specifications

Weight 25.81 gr



ADV.PL.T



PLASTIC T CONNECTOR

Technical Specifications

Weight 45.6 gr



ADV.PL.MB



PLASTIC LADDER STEP

Technical Specifications

Weight 390 gr



TM-2



STAINLESS/GALVANIZED
STEEL THIMBEL

Technical Specifications

Weight 75 gr



SW-1



STAINLESS/GALVANIZED
STEEL THIMBEL

Technical Specifications

Weight 48 gr



SS

CONTENT

PA66

CONTENT

EB-1

STAINLESS / GALVANIZED
STEEL FEMALE EYE BOLT

Technical Specifications

Weight 41 gr



EB-2

STAINLESS / GALVANIZED
STEEL MALE EYE BOLT

Technical Specifications

Weight 52 gr



P-8 B



TANDEM PULLEY

Technical Specifications

Weight 270 gr

- Aluminum sheaves mounted on self-lubricating bushings for efficiency.
- Tandem pulleys sheave mounted on sealed ball bearings for excellent efficiency.

Strength : 12 x 2 = 24 kN

Body Material : Aluminum

Pulley Material: Stainless Steel

Rope Dia : Max. Ø 13 mm

DUO-35



STEEL TANDEM PULLEY

Technical Specifications

Weight 457 gr

- Stainless steel sheaves for excellent durability.
- Can be used speed up to 25 m/s.
- Tandem pulleys sheave mounted on sealed ball bearings for excellent efficiency.

Strength : 15 x 2 = 30 kN

Body Material : Aluminum

Pulley Material: Stainless Steel (316)

Rope Dia : Max. Ø 13 mm

DUO-50



STEEL TANDEM PULLEY

Technical Specifications

Weight 1.750 gr

- Stainless steel sheaves for excellent durability.
- Can be used speed up to 25 m/s.
- Tandem pulleys sheave mounted on sealed ball bearings for excellent efficiency.

Strength : 25 x 2 = 50 kN

Body Material : Stainless Steel (316)

Pulley Material: Stainless Steel (316)

Rope Dia : Max. Ø 13 mm

P-1



MOBILE SMALL PULLEY

Technical Specifications

Weight 120 gr

- Extremely lightweight and ultra-compact pulley
- Has a rotating side plates
- Special side plates designed for use with a Prusik friction hitch in progress capture systems

Strength : 12 x 2 = 24 kN

Material : Aluminum

Rope Dia : Max. Ø 11 mm

P-4

BIG SINGLE ALUMINUM
PULLEY

Technical Specifications

Weight 267 gr

- Lightweight, high performance pulley adapted for intensive use
- Has a rotating side plates
- Special side plates designed for use with a Prusik friction hitch in progress capture systems

Strength : 15 x 2 = 30 kN

Material : Aluminum

Rope Dia : Max. Ø 16 mm

P-5

BIG DOUBLE ALUMINUM
PULLEY

Technical Specifications

Weight 460 gr

- Has a rotating side plates
- High performance pulley adapted for intensive use
- Special side plates designed for use with a Prusik friction hitch in progress capture systems

Strength : 15 x 2 = 30 kN

Material : Aluminum

Rope Dia : Max. Ø 16 mm

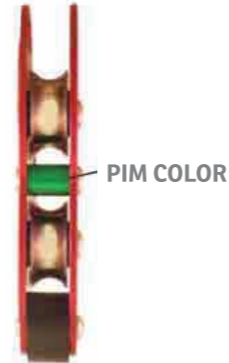
RP-075



RP-076



CODE	TYPE	PIM COLOR	WEIGHT	STRENGTH (MBS)
50 mm PULLEYS				
RP-075A	13 mm		876 gr	40 kN
RP-075B	16 mm		874 gr	40 kN
RP-075C	20 mm		875 gr	40 kN
50 mm PULLEYS				
RP-076A	13 mm		1.796 gr	40 kN
RP-076B	16 mm		1.794 gr	40 kN
RP-076C	20 mm		1.789 gr	40 kN



PIM COLOR

ZIPLINE TANDEM PULLEY 50mm (2")
WHEEL DIAMETER

Technical Specifications

Weight 875 gr

- The Zipspeed Tandems are fitted with rubber sealed, deep groove bearings for optimal performance and a lifespan of several thousand miles/km.
- The side plates are made from Aerospace Grade 7075 Aluminum, to minimise flex.
- There are extra attachment holes for a secondary lanyard and a small central hole which can be used to fit an accessory.

Strength : 12 x 2 = 24 kN
Pulley Dia : 50 mm
Body Material : Aluminum
Pulley Material: Stainless Steel (316)
Rope Size : Max. Ø 13, 16, 20 mm

ZIPLINE TANDEM PULLEY 75mm (3")
WHEEL DIAMETER

Technical Specifications

Weight 1.793 gr

- The Zipspeed Tandems are fitted with rubber sealed, deep groove bearings for optimal performance and a lifespan of several thousand miles/km.
- The side plates are made from Aerospace Grade 7075 Aluminum, to minimise flex.
- There are extra attachment holes for a secondary lanyard and a small central hole which can be used to fit an accessory.

Strength : 40 kN
Pulley Dia : 75 mm
Body Material : Aluminum
Pulley Material: Stainless Steel (316)
Rope Size : Max. Ø 13, 16, 20 mm

P-455 YO

FALL ARREST AND WORK POSITIONING
SUSPENSION HARNESS

Technical Specifications

Size XS, S/M, L/XL, XXL

- Full Body Harness Should be Used as a Component in Personal Fall Arrest, Rope Access, Restraint, Work Positioning, Climbing, Control Descent and Rescue.
- Back and Chest D-Rings for Fast, Easy and Safe Connection to the Other Elements of a Personal Fall Arrest System.
- 2 pieces of waist D-Rings for Work Positioning.
- 1 piece of D-rings in Abdominal Area for Working in Suspension.
- Suspension Trauma Straps.
- Maximum comfort by virtue of Breathing, Antibacterial, Ergonomic Back, Waist, Leg and Shoulder Pads.
- Special design Aluminum D rings.
- Stainless steel AB-45 Automatic Buckles.
- UV Resistant High Strength Bonded Type Yarns and Contrastive Color Sewing for Quick Eye Control.
- 2 pieces of PVC Coated Gear Loops.

P-455 Y

FALL ARREST AND WORK POSITIONING
SUSPENSION HARNESS

Technical Specifications

Size XS, S/M, L/XL, XXL

- Full Body Harness Should be Used as a Component in Personal Fall Arrest, Rope Access, Restraint, Work Positioning, Climbing, Control Descent and Rescue.
- Back and Chest D-Rings for Fast, Easy and Safe Connection to the Other Elements of a Personal Fall Arrest System.
- 2 pieces of waist D-Rings for Work Positioning.
- 1 piece of D-rings in Abdominal Area for Working in Suspension.
- Suspension Trauma Straps.
- Maximum comfort by virtue of Breathing, Antibacterial, Ergonomic Back, Waist, Leg and Shoulder Pads.
- Special design Aluminum D rings.
- Stainless steel AB-45 Automatic Buckles.
- UV Resistant High Strength Bonded Type Yarns and Contrastive Color Sewing for Quick Eye Control.
- 2 pieces of PVC Coated Gear Loops.

EN 358

STANDARD

EN 12777

STANDARD

P-455 YOB

WORK POSITIONING
SUSPENSION HARNESS

Technical Specifications

Size	XS, S/M, L/XL, XXL
------	--------------------

- Harness Should be Used as a Component in Personal Restraint, Work Positioning, and Rescue.
- 1 piece of Back D-Ring for Fast, Easy and Safe Connection to the Other Elements of a Personal Fall Arrest System.
- 2 pieces of Waist D-Rings for Work Positioning.
- Can be used as Fall Arrest and Work Positioning Harness when attached to P-455 YU.
- 1 piece of D-rings in Abdominal Area for Working in Suspension.
- Suspension Trauma Straps.
- Maximum comfort by virtue of Breathing, Antibacterial, Ergonomic Waist and Leg Pads.
- Special design Aluminum D rings.
- Stainless steel AB-45 Automatic Waist and Leg Buckles For Fast Connection and Release.
- UV Resistant High Strength Bonded Type Yarns and Contrastive Color Sewing for Quick Eye Control.
- 2 pieces of Gear Loops.

P-455 YB

WORK POSITIONING
SUSPENSION HARNESS

Technical Specifications

Size	XS, S/M, L/XL, XXL
------	--------------------

- Harness Should be Used as a Component in Personal Restraint, Work Positioning, and Rescue.
- 1 piece of Back D-Ring for Fast, Easy and Safe Connection to the Other Elements of a Personal Fall Arrest System.
- 2 pieces of Waist D-Rings for Work Positioning.
- Can be used as Fall Arrest and Work Positioning Harness when attached to P-455 YU.
- 1 piece of D-rings in Abdominal Area for Working in Suspension.
- Suspension Trauma Straps.
- Maximum comfort by virtue of Breathing, Antibacterial, Ergonomic Waist and Leg Pads.
- Special design Aluminum D rings.
- Stainless steel QB-45 Quick Waist and Leg Buckles For Fast Connection and Release.
- UV Resistant High Strength Bonded Type Yarns and Contrastive Color Sewing for Quick Eye Control.
- 2 pieces of Gear Loops.

E-3 B K4 A/K2

TWIN – LEG SHOCK ABSORBING
BRAIDED ROPE LANYARD

Technical Specifications

Length	1, 2 & 2 meter
--------	----------------

- Twin-leg model allows user to keep one leg attached to the anchorage while the other leg is always ready to be hooked to the next anchorage.
- Built-in energy absorber limits the fall arrest force in a fall situation by tearing specific seams.
- Zippered fabric case protects the energy absorber from abrasion and other damages while allowing for regular inspection of the absorber.
- Stitched in professional CNC machines by bonded type UV and dust resistant high tenacity yarn.

E-3 T K4 A/K2

TWIN – LEG SHOCK ABSORBING
TWISTED ROPE LANYARD

Technical Specifications

Length	1, 2 & 2 meter
--------	----------------

- Made of high tenacity 3 strands twisted rope.
- Twin-leg model allows user to keep one leg attached to the anchorage while the other leg is always ready to be hooked to the next anchorage.
- Built-in energy absorber limits the fall arrest force in a fall situation by tearing specific seams.
- Zippered fabric case protects the energy absorber from abrasion and other damages while allowing for regular inspection of the absorber.

EL-3 K-4A/K-6

TWIN-LEG ELASTIC SHOCK
ABSORBING LANYARD

Technical Specifications

Length	1, 2 & 2 meter
--------	----------------

- Offers complete freedom of movement while reducing trip fall hazards by stretching in reaction to the worker's movements.
- Twin-leg model allows user to keep one leg attached to the anchorage while the other leg is always ready to be hooked to the next anchorage.
- Made of abrasion resistant polyester tubular webbing.
- Stitched in professional CNC machines by bonded type UV and dust resistant high tenacity yarn.
- Rebar hook for use with anchor points requiring large gate opening.

EN 354

STANDARD

EN 355

STANDARD

EN 362

STANDARD

EN 12275

STANDARD

EN 354

STANDARD

EN 355

STANDARD

EN 362

STANDARD

EN 12275

STANDARD

E-1 B K-4A/K2

SINGLE - LEG
SHOCK ABSORBING
BRAIDED ROPE LANYARD

Technical Specifications

Length 1, 2 & 2 meter

- Allows workers to attach to an anchorage point and remain safe during their work.
- Built-in energy absorber limits the fall arrest force in a fall situation by tearing specific seams.
- Zippered fabric case protects the energy absorber from abrasion and other damages while allowing for regular inspection of the absorber.
- Stitched in professional CNC machines by bonded type UV and dust resistant high tenacity yarn.

L-1 W K-4A/K2

SINGLE - LEG WEBBING
LANYARDS

Technical Specifications

Length 1, 2 & 2 meter

- Allows workers to attach to an anchorage point and remain safe during their work.
- Made of highly resistant polyester webbing.
- Stitched in professional CNC machines by bonded type UV and dust resistant high tenacity yarn.

EL-1 K-4A / K2

SINGLE-LEG ELASTIC SHOCK
ABSORBING LANYARD

Technical Specifications

Length 1, 2 & 2 meter

- Offers complete freedom of movement while reducing trip fall hazards by stretching in reaction to the worker's movements.
- Made of abrasion resistant polyester tubular webbing.
- Stitched in professional CNC machines by bonded type UV and dust resistant high tenacity yarn.
- Length after fall is 1,5 meter.

H-13 ISLAND



MOUNTAINEERING HELMET

Technical Specifications

Size 54/62 cm (Adjustable)

- It is ideal for ski-mountaineering and climbing.
- Adjustable and removable chinstrap.
- Ventilation with 8 vents.

Color : Red, White, Blue**Size** : 55/62 cm (Adjustable)**Weight** : 410 gr**Outer shell**: Thermo ABS**Inner shell** : High Tenacity polystyrene EPS foam

H-12 SUMMIT



INDUSTRIAL HELMET

Technical Specifications

Size 55/62 cm (Adjustable)

- It is ideal for rescue operation and works at height.
- Slots for ear protectors fixing.
- Adjustable and removable chinstrap.
- Ventilation with 2 vents.

Color : Red, White, Blue**Size** : 54/62 cm (Adjustable)**Weight** : 400 gr**Outer shell**: Thermo ABS**Inner shell** : High Tenacity polystyrene EPS foam

EN 397

STANDARD

EN 12492

STANDARD



ABSEILING GLOVE

- Ideal for abseiling and rescue.
- Premium synthetic leather palm and fingertip patches.
- Velcro wrist fastening.
- Full finger.

ABSEILING GLOVE

- These highly specialized gloves offer versatility in jobs where multiple tasks are being performed.
- Premium synthetic leather palm and fingertip patches.
- Velcro wrist fastening.
- The fingertips are open on the thumb, index and middle digits. User can switch from one task (like material handling) to another (data entry requiring touch sensitivity) without having to remove gloves.

KAYA GROUP OVER VIEW





KAYA SAFETY

Kaya safety was established in 1996 to design systems and equipment for work at height activities to be performed properly and safely.

Having the most advanced facility in its field, Kaya Safety designs, develops and manufactures fall arrest systems, rescue and evacuation equipment and lifting equipment in Turkey for institutions and organizations operating in sectors such as Defense, Firefighting, Oil & Gas, Construction and Telecommunication.

In addition to our knowledge and experience gained from working in different fields for over 18 years, we are aware of the issue that employees and managers need to take the necessary training for correct use of safety equipment and systems. We provide sector based trainings in our training facility which is one of the largest working at height simulation centers in Europe. We also support our users with technical documents and product videos for equipment to be used correctly and efficiently.

KAYA ROPES

Kaya Ropes manufactures all kinds of ropes for every field, where life safety and performance is aimed, that are made of from various types of raw materials, at different construction with internationally recognized certifications.

Kaya Ropes has become a leader of innovation in Turkey and one of well-known and requested brands in the world with its technical and technological ropes.

Equipped with most developed machineries, Kaya Ropes manufactures ropes for Sailing, Yachting, Military, Off-Road, Playground, Mountaineering, Rescue, Civil Defense, Safety, Fishing, Energy, Mining and so on.

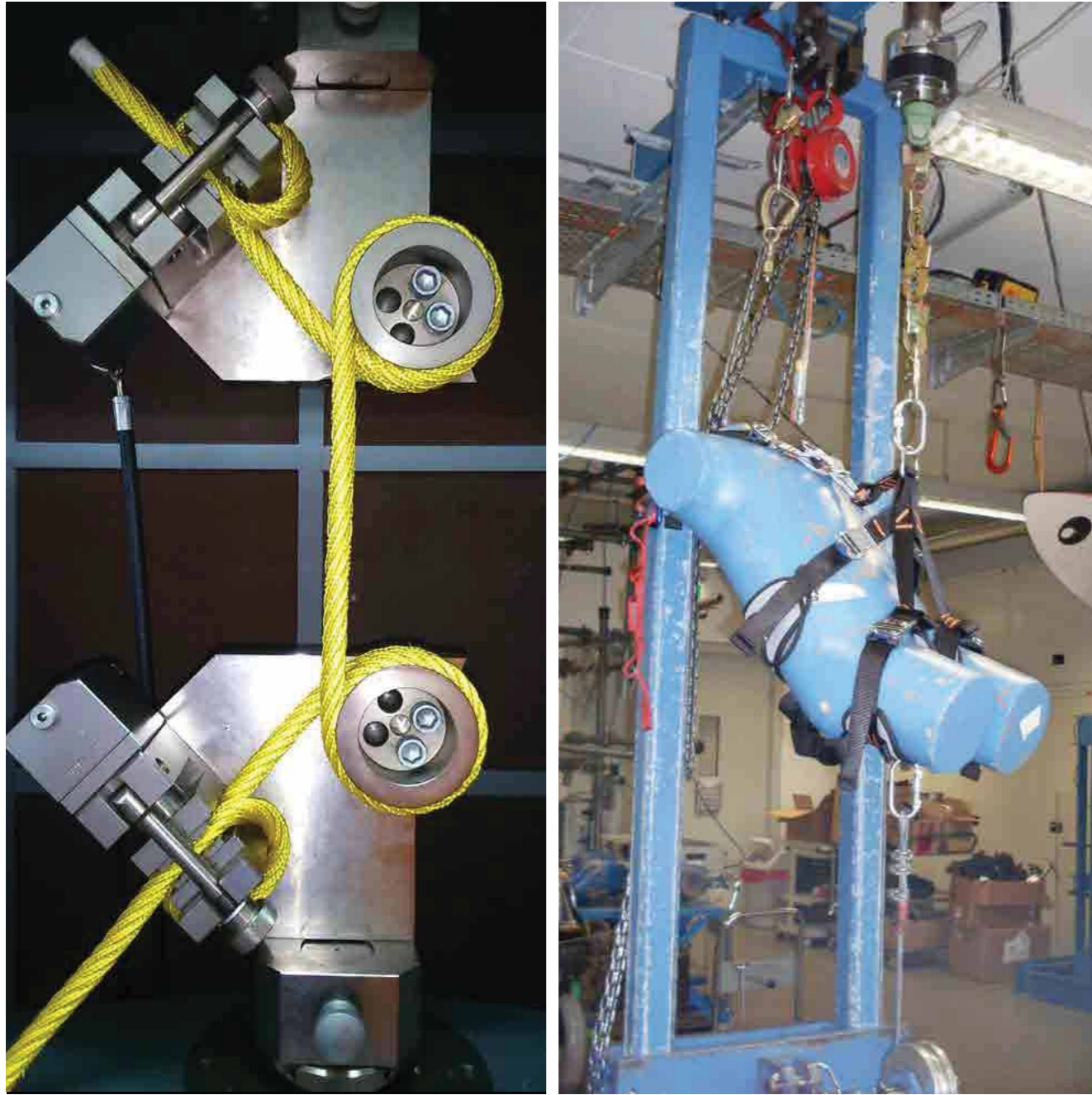
KAYA TRAINING

Combining with 30 years of knowledge of Kaya Group in Occupational Health and Safety; Kaya Training and Kaya Consulting provide solutions in Strategic Management Consulting, Occupational Health & Safety and Joint Health Security Unit Services since 2001 to a large number of multinational companies and projects in almost all cities in Turkey as well as in Iraq, Gabon, Nigeria, Russia, Kazakhstan, Turkmenistan, Libya, Algeria, Albania, Kosovo, Tunisia, Saudi Arabia, Syria, Ukraine and Morocco and plays an important role in creating Occupational Health and Safety culture with its over 40 professional employees who have international experience.

Kaya Training and Kaya Consulting have 1st class training facilities and infrastructure where various industries can be simulated. The company also maintains its leadership in taking precautions in occupational health and safety and rescue activities and providing training, inspection and supervision services with aim of creating safe working environment. In addition to this, company contributes raising awareness of occupational health and safety issues in employees with its professional internal trainings.

Kaya Training and Kaya Consulting is also a partner of many well-known international organizations in Turkey such as IOSH, (Institution of Occupational Safety & Health), NSC (National Safety Council) and IRATA (Industrial Rope Access Trade Association) and part from this company is able to provide their trainings with its own trainers.

KAYA CONSULTING



QUALITY- TESTING

We sincerely declare that playground rope access systems designed, manufactured and assembled by **KAYA ADVENTURE** comply with EN 1176-1 and EN 1176-11 standards within **INSPECCO**.



**KAYA YAPI İÇ. MİM. TAS. İNŞ. DEN.
TAAH. SAN. VE TİC. A.Ş.**

**YÖNETİM VE ÜRETİM MERKEZİ
MANAGEMENT & PRODUCTION CENTER**

GEBZE ORGANİZE SANAYİ BÖLGESİ
1000. SOKAK NO:1015
ÇAYIROVA, KOCAELİ, TURKEY

KAYAGRUBU.COM.TR

**SANTRAL/CENTRAL
T: +90 262 677 19 19 pbx
F: +90 262 677 19 10**

KAYA ADVENTURE

GEBZE ORGANİZE SANAYİ BÖLGESİ
1000. SOKAK NO:1015
ÇAYIROVA, KOCAELİ, TURKEY
T: +90 262 677 19 00 pbx
F: +90 262 677 19 01
E-MAIL: SATIS@KAYASAFETY.COM

KAYAADVENTURE.COM



f /KAYAADVENTURE

in /COMPANY/KAYA-ADVENTURE

e /KAYA_ADVENTURE

yt /KAYAADVENTURE

**UPGRADE
YOUR
LINES!**